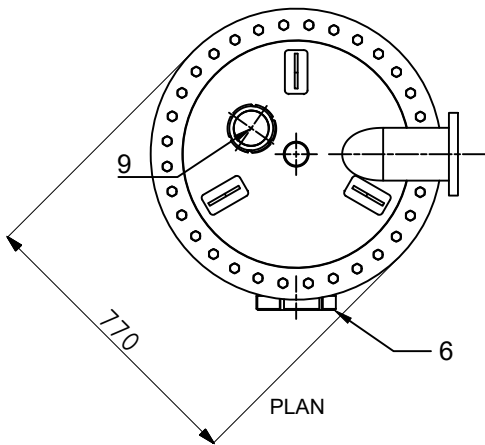


ELEVATION

LEFT ELEVATION



PLAN

Position	Element	Type
1	Output Connection Water:(flange)	DN100
2	Input connection Water:(flange)	DN100
3	Connection Drain: (flange)	DN100
4	Input connection Perlite: (H thread)	2" RH
5	Purge Connection: (female thread)	2" RH
6	Manhole: (access)	D.150
7	Candle peephole: (threaded)	DN80
8	Peephole access Rear: (threaded)	-
9	Peephole plate Manifolds: (threaded)	DN80
10	Vortex flange	DN50

Model	Total width	Diameter inner cylinder	Ground height to flange	Total height In service and with cargo	Weight empty /weight load
HPRFV-600	770 mm	600 mm	2100 mm	2400 mm	305/685 kg



Revised: M. Amella February 2024
 Drawn: J.Rodriguez Octubre 2023

Revision nº: 02

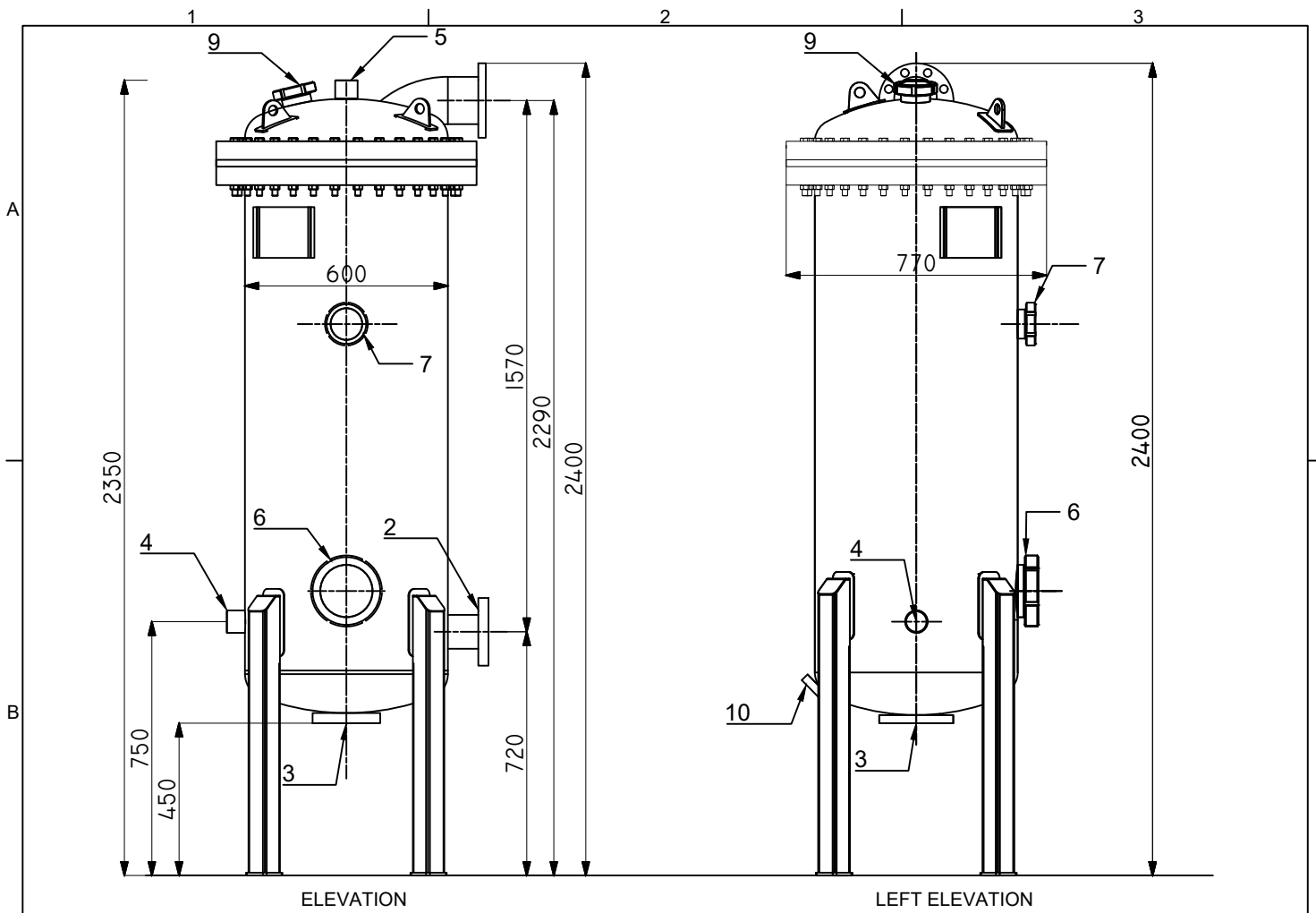
Date: February 2024

Din-A4: 1/20

Efficpool HPRFV-600 filter

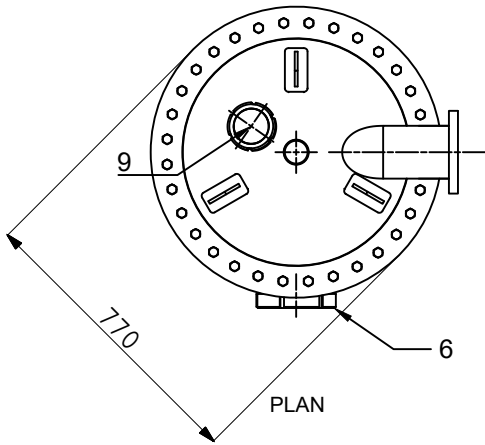
Drawing nº:

02



ELEVATION

LEFT ELEVATION



PLAN

Position	Element	Type
1	Output Connection Water:(flange)	DN125
2	Input connection Water:(flange)	DN125
3	Connection Drain: (flange)	DN100
4	Input connection Perlite: (H thread)	2" RH
5	Purge Connection: (female thread)	2" RH
6	Manhole: (access)	D.150
7	Candle peephole: (threaded)	DN80
8	Peephole access Rear: (threaded)	-
9	Peephole plate Manifolds: (threaded)	DN80
10	Vortex flange	DN50

Model	Total width	Diameter inner cylinder	Ground height to flange	Total height In service and with cargo	Weight empty /weight load
HPRFV-600L	770 mm	600 mm	2290 mm	2400 mm	305/685 kg



Revised: M. Amella February 2024
 Drawn: J.Rodriguez Octubre 2023

Revision nº: 02

Date: February 2024

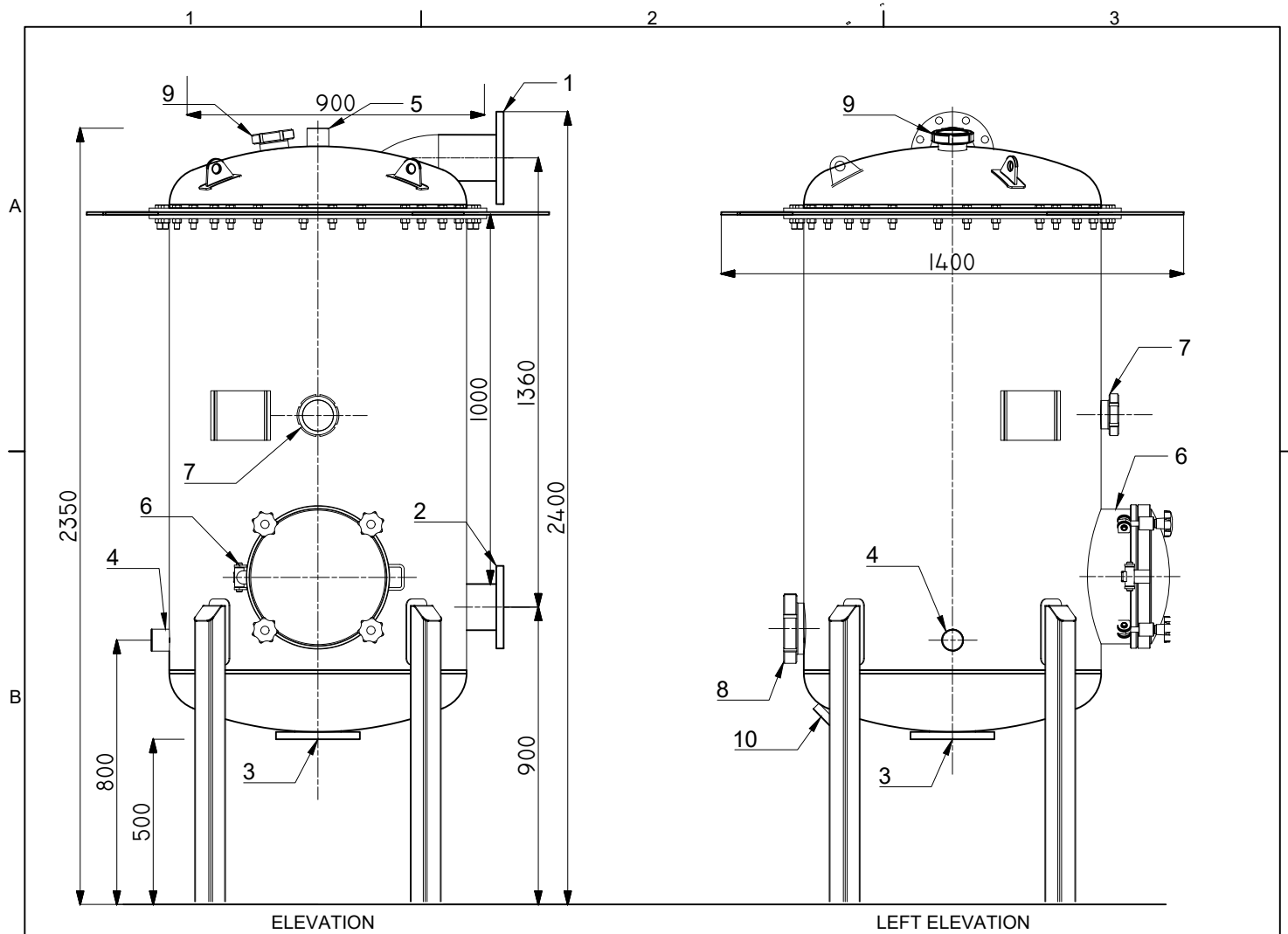
Din-A4: 1/20

HÍDRICA PRODUCTS | Av de Falset, 136, 43206 REUS (SPAIN)
 | +34 931 700 052, + 34 977 333 982 | info@efficpool.com

Efficpool HPRFV-600L filter

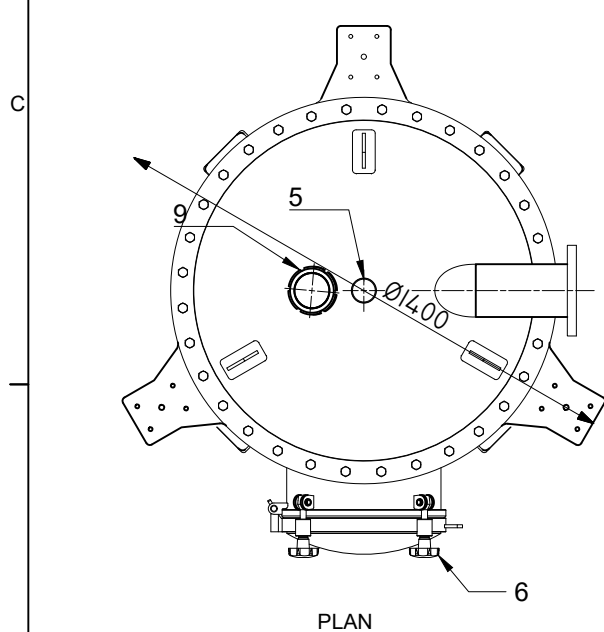
Drawing nº:

02



ELEVATION

LEFT ELEVATION



PLAN

Position	Element	Type
1	Output Connection Water:(flange)	DN150
2	Input connection Water:(flange)	DN150
3	Connection Drain: (flange)	DN125
4	Input connection Perlite: (H thread)	2" RH
5	Purge Connection: (female thread)	2" RH
6	Manhole: (access)	D.400
7	Candle peephole: (threaded)	DN80
8	Peephole access Rear: (threaded)	DN150
9	Peephole plate Manifolds: (threaded)	DN80
10	Vortex flange	DN50

Model	Total width	Diameter inner cylinder	Ground height to flange	Total height In service and with cargo	Weight empty /weight load
HPRFV-900	1400 mm	900 mm	2400 mm	2550 mm	510/1200 kg



Revised: M. Amella March 2024

Drawn: J.Rodriguez March 2022

Revision nº: 00

Date: March 2024

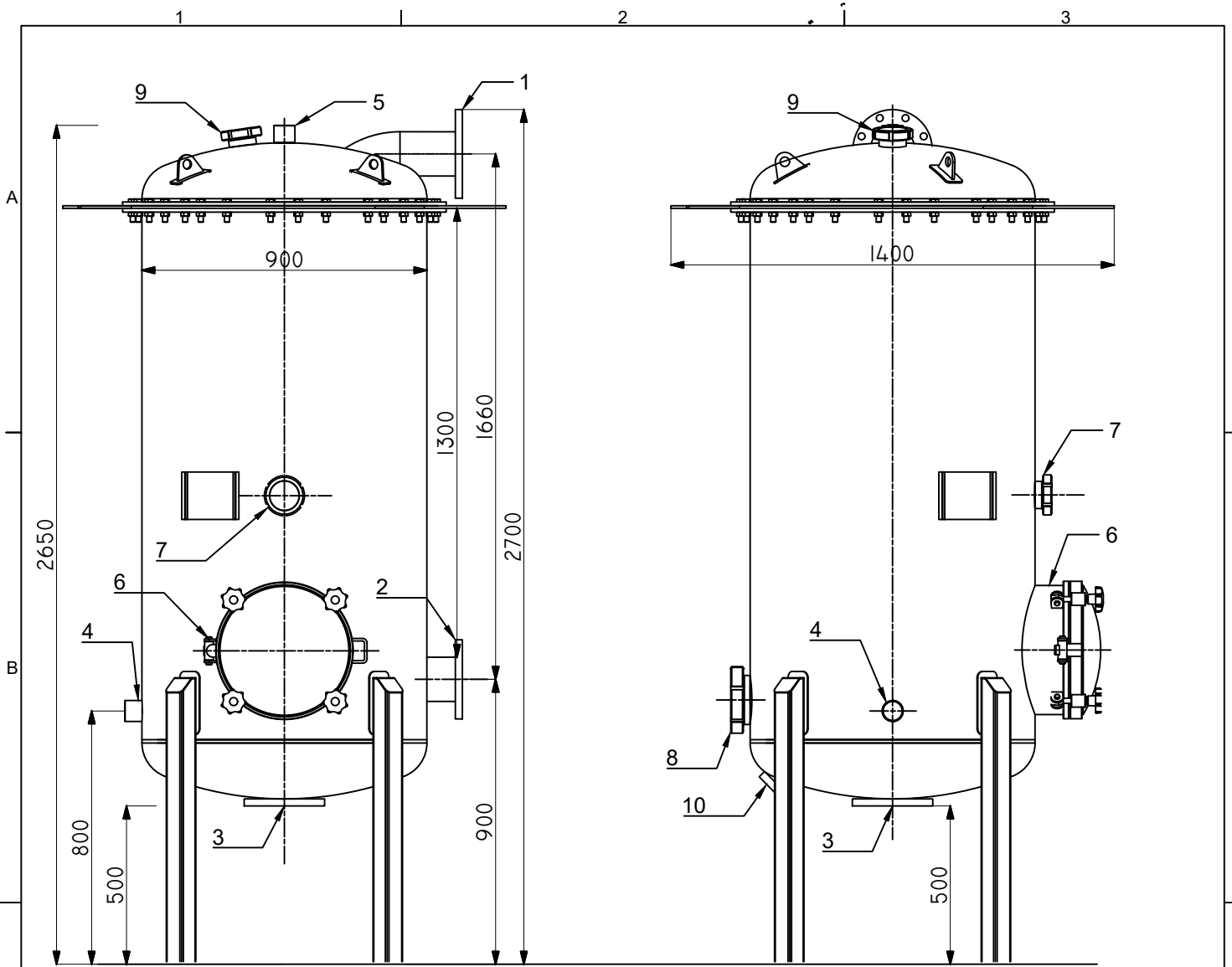
Din-A4: 1/20

Drawing nº:

HÍDRICA PRODUCTS | Av de Falset, 136, 43206 REUS (SPAIN)
| +34 931 700 052, + 34 977 333 982 | info@efficpool.com

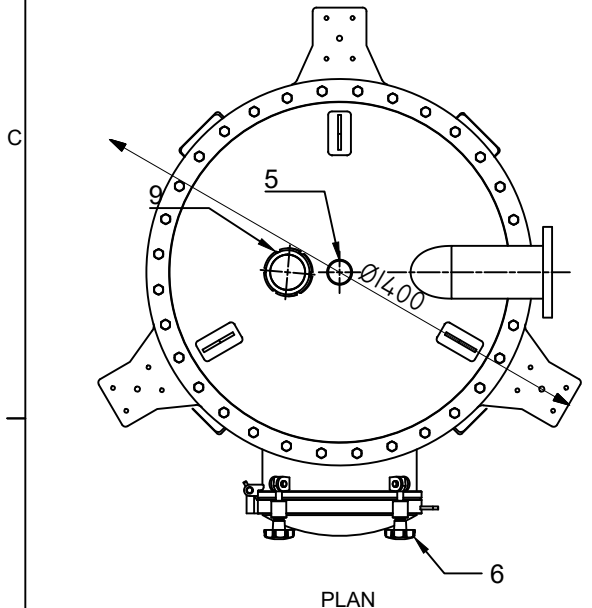
Efficpool HPRFV-900 filter

03



ELEVATION

LEFT ELEVATION



PLAN

Position	Element	Type
1	Output Connection Water:(flange)	DN150
2	Input connection Water:(flange)	DN150
3	Connection Drain: (flange)	DN125
4	Input connection Perlite: (H thread)	2" RH
5	Purge Connection: (female thread)	2" RH
6	Manhole: (access)	D.400
7	Candle peephole: (threaded)	DN80
8	Peephole access Rear: (threaded)	DN150
9	Peephole plate Manifolds: (threaded)	DN80
10	Vortex flange	DN50

Model	Total width	Diameter inner cylinder	Ground height to flange	Total height In service and with cargo	Weight empty /weight load
HPRFV-900L	1400 mm	900 mm	2700 mm	3000 mm	510/1200 kg



Revised:
M. Amella March 2024
Drawn:
J.Rodriguez March 2022

Revision nº: 00 Date: March 2024

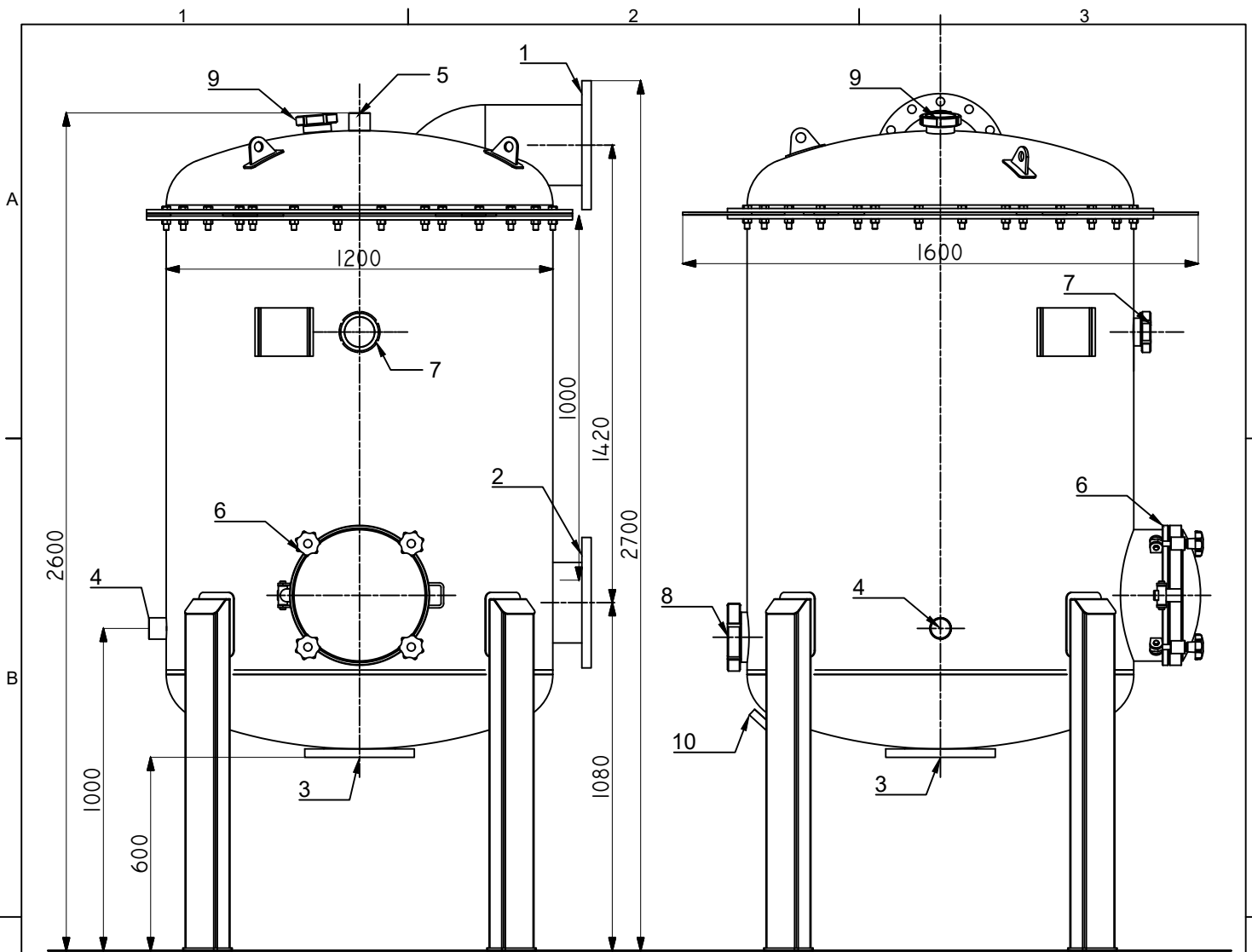
Din-A4: 1/20

HÍDRICA PRODUCTS | Av de Falset, 136, 43206 REUS (SPAIN)
| +34 931 700 052, + 34 977 333 982 | info@efficpool.com

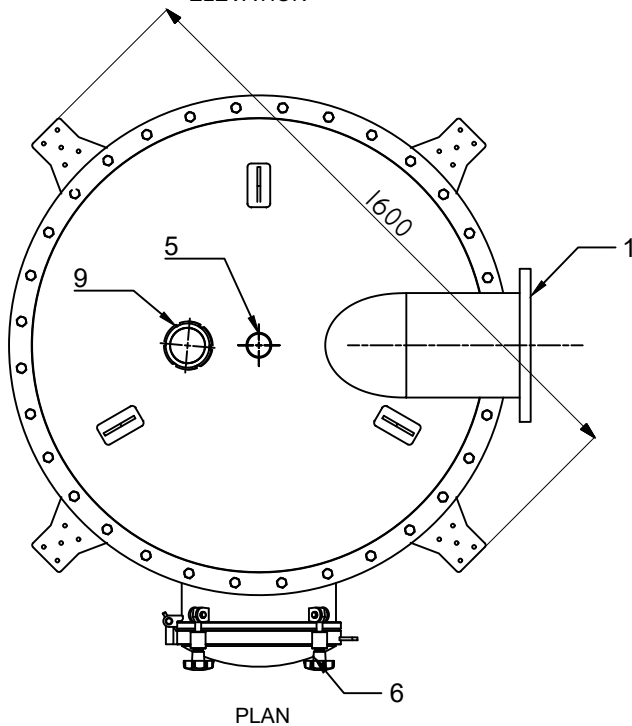
Efficpool HPRFV-900L filter

Drawing nº:

03



ELEVATION



PLAN

Position	Element	Type
1	Output Connection Water: (flange)	DN250
2	Input connection Water: (flange)	DN250
3	Connection Drain: (flange)	DN200
4	Input connection Perlite: (H thread)	2" RH
5	Purge Connection: (female thread)	2" RH
6	Manhole: (access)	D.400
7	Candle peephole: (threaded)	DN80
8	Peephole access Rear: (threaded)	DN150
9	Peephole plate Manifolds: (threaded)	DN80
10	Vortex flange	DN50

Model	Total width	Diameter inner cylinder	Ground height to flange	Total height In service and with cargo	Weight empty /weight load
HPRFV-1200	1600 mm	1200 mm	2700 mm	3000 mm	1380/3280 kg



Revised: M. Amella Febrero 2024

Drawn: J.Rodriguez Octubre 2022

Revision nº: 02

Date: February 2024

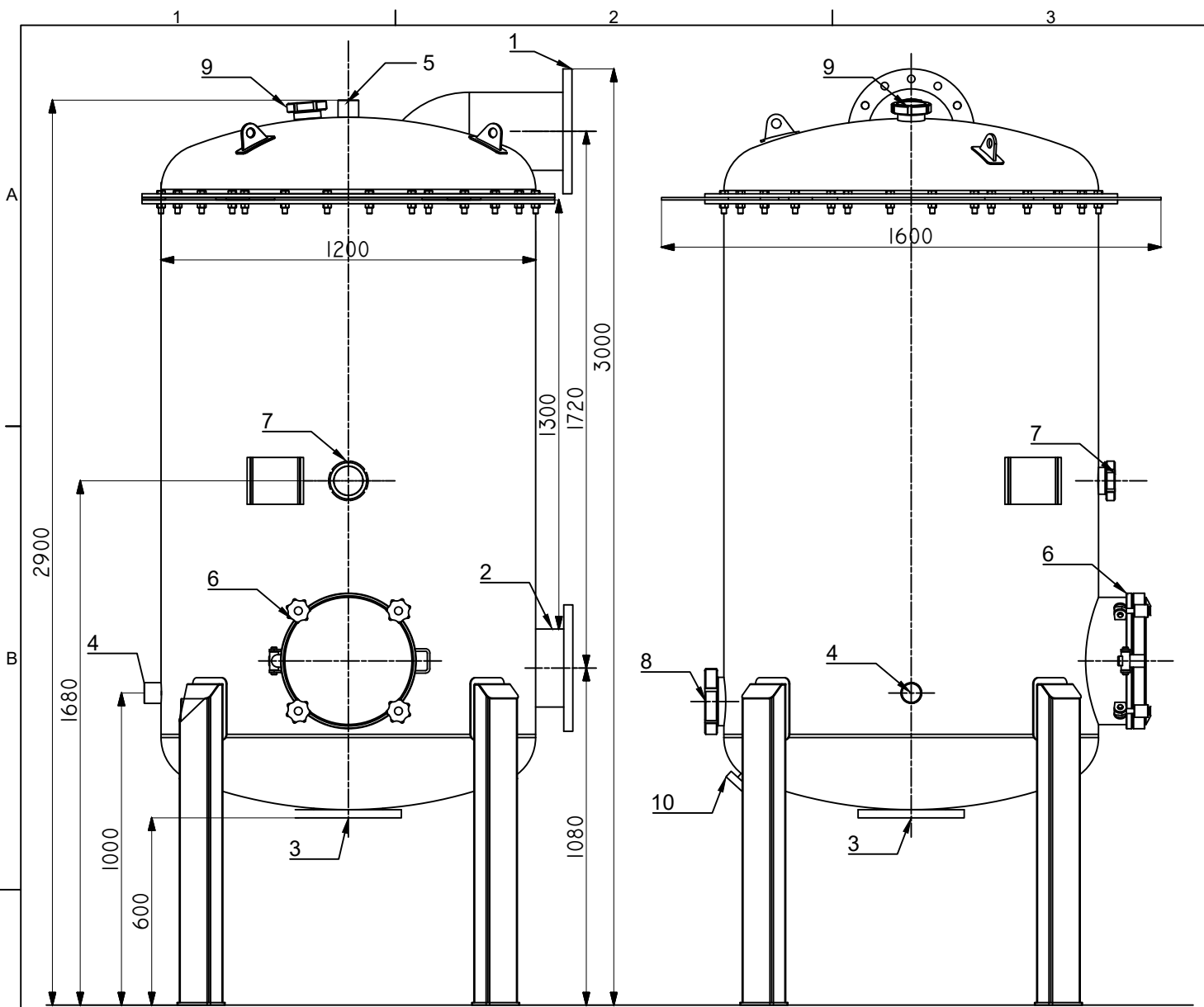
Scale: Din-A4: 1/20

Drawing nº:

HÍDRICA PRODUCTS | Av de Falset, 136, 43206 REUS (SPAIN)
| +34 931 700 052, + 34 977 333 982 | info@efficpool.com

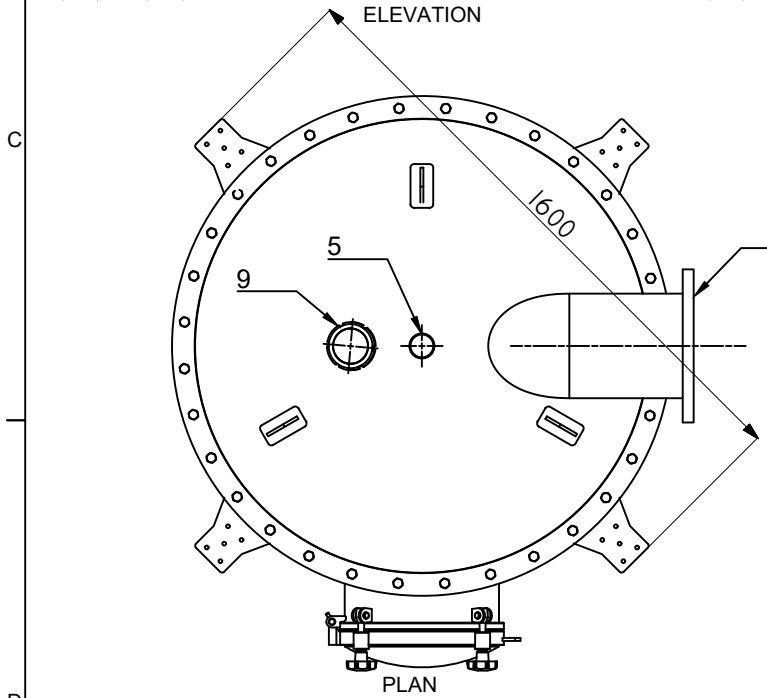
Efficpool filter HPRFV-1200

07



ELEVATION

LEFT ELEVATION



PLAN

Position	Element	Type
1	Output Connection Water: (flange)	DN250
2	Input connection Water: (flange)	DN250
3	Connection Drain: (flange)	DN200
4	Input connection Perlite: (H thread)	2" RH
5	Purge Connection: (female thread)	2" RH
6	Manhole: (access)	D.400
7	Candle peephole: (threaded)	DN80
8	Peephole access Rear: (threaded)	DN150
9	Peephole plate Manifolds: (threaded)	DN80
10	Vortex flange	DN50

Model	Total width	Diameter inner cylinder	Ground height to flange	Total height In service and with cargo	Weight empty /weight load
HPRFV-1200L	1600 mm	1200 mm	3000 mm	3100 mm	1500/3935 kg



Revised: M. Amella March 2024

Drawn: J.Rodriguez March 2024

Revision nº: 00

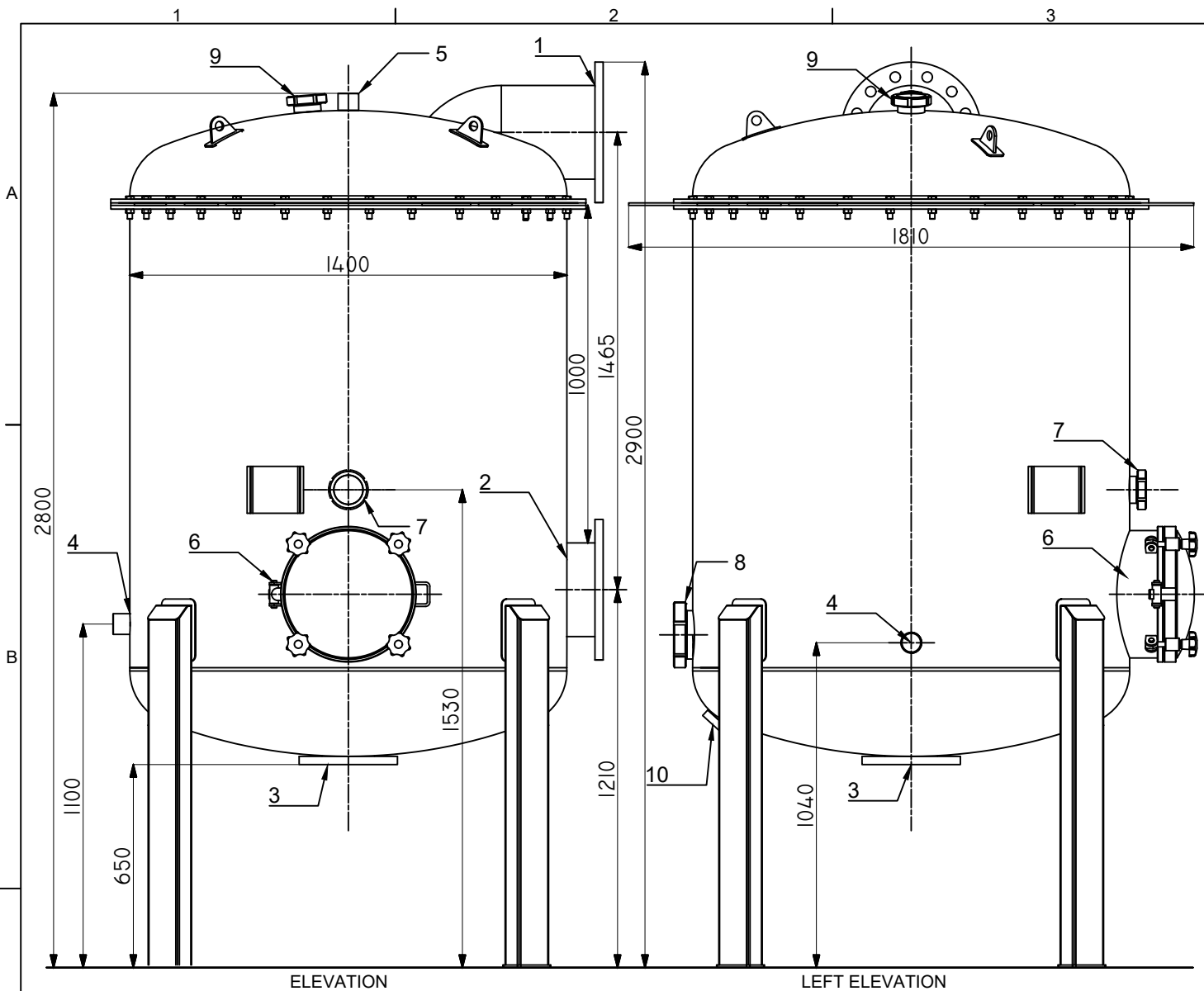
Date: March 2024

Scale: Din-A4: 1/20

Efficpool filter HI-1200L

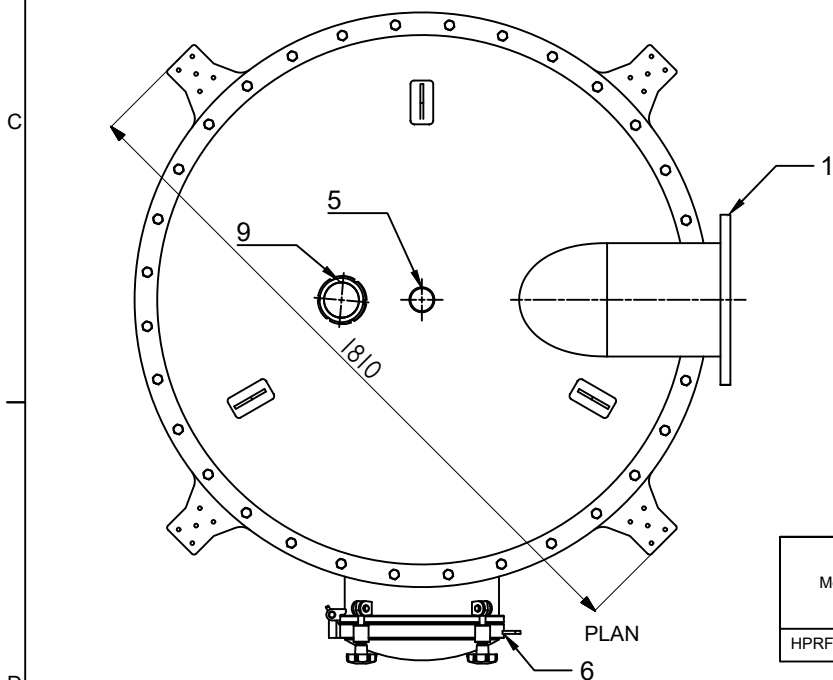
Drawing nº:

06



ELEVATION

LEFT ELEVATION



PLAN

Position	Element	Type
1	Output Connection Water: (flange)	DN300
2	Input connection Water: (flange)	DN300
3	Connection Drain: (flange)	DN250
4	Input connection Perlite: (H thread)	2" RH
5	Purge Connection: (female thread)	2" RH
6	Manhole: (access)	D.400
7	Candle peephole: (threaded)	DN80
8	Peephole access Rear: (threaded)	DN150
9	Peephole plate Manifolds: (threaded)	DN80
10	Vortex flange	DN50

Model	Total width	Diameter inner cylinder	Ground height to flange	Total height In service and with cargo	Weight empty /weight load
HPRFV-1400	1810 mm	1400 mm	2900 mm	3400 mm	1380/3280 kg



Revised: M. Amella March 2024

Drawn: J.Rodriguez March 2024

Revision nº: 00

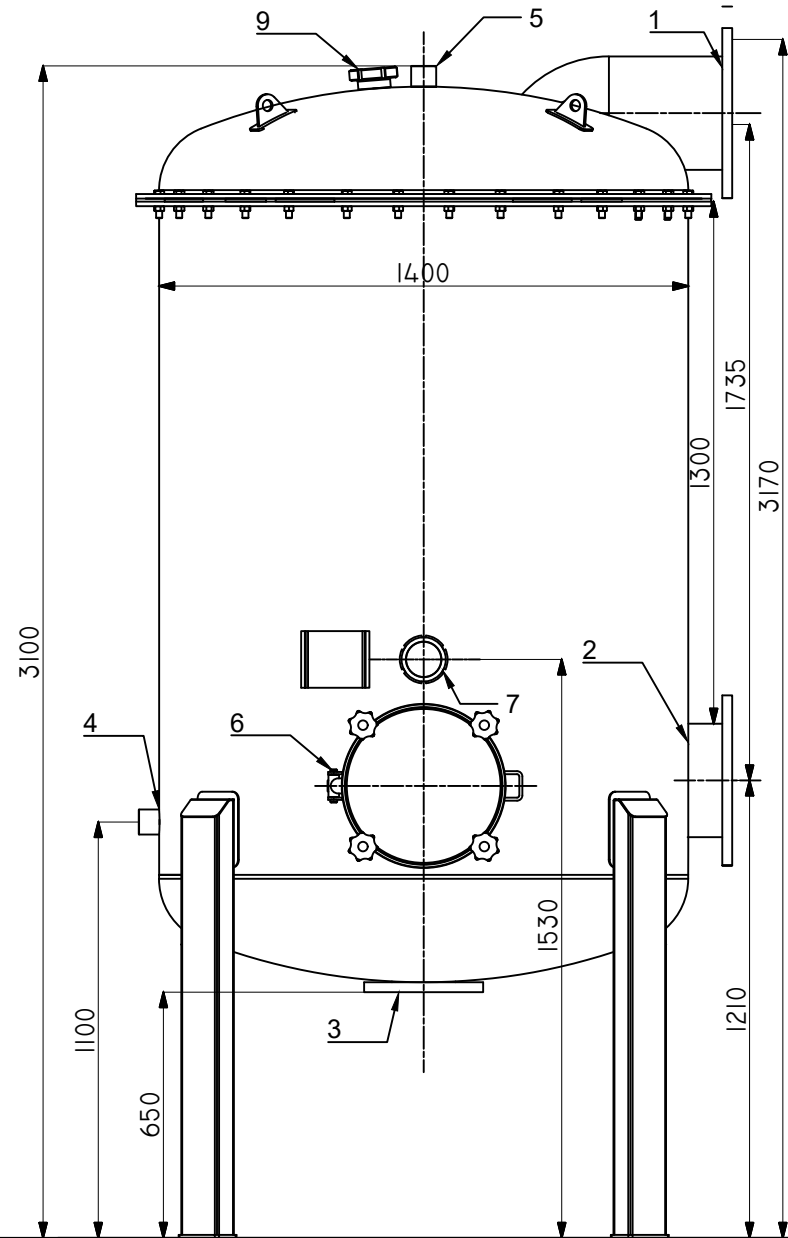
Date: March 2024

Din-A4: 1/20

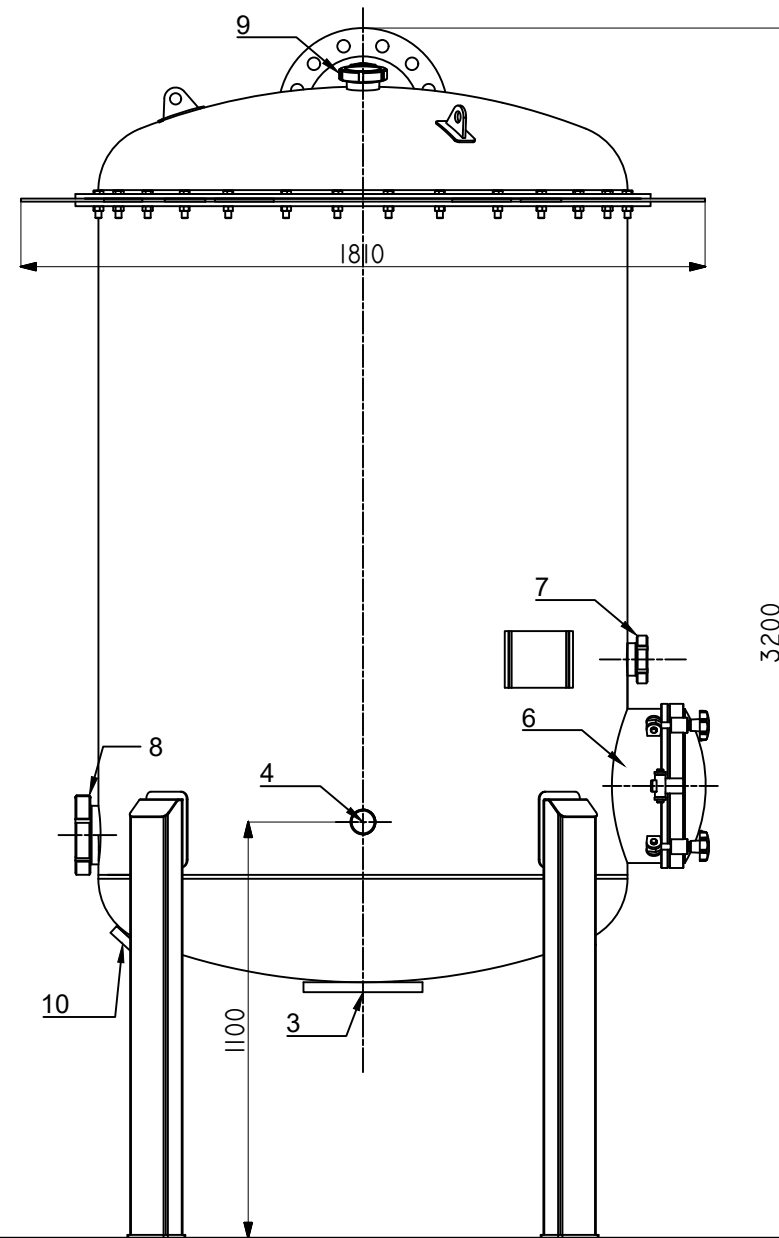
Drawing nº:

Efficpool HPRFV-1400 filter

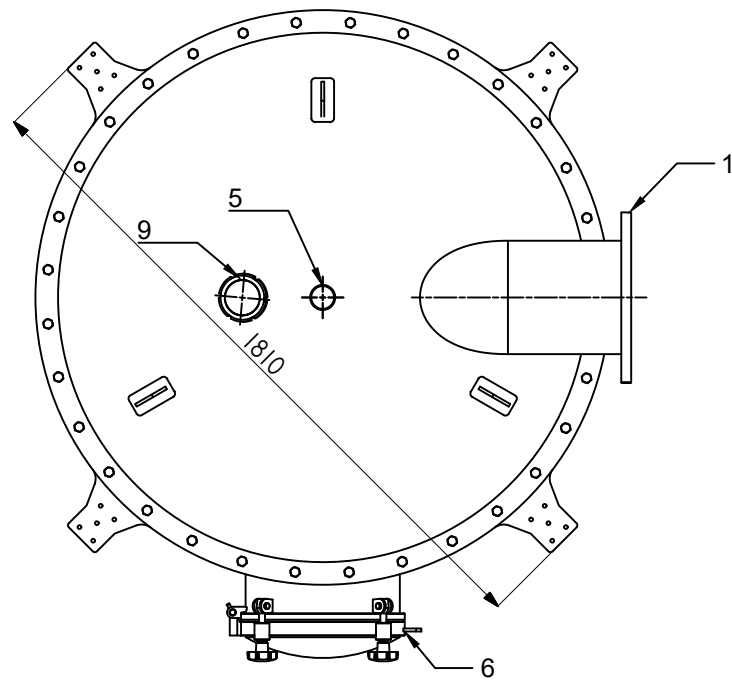
07



ELEVATION




LEFT ELEVATION

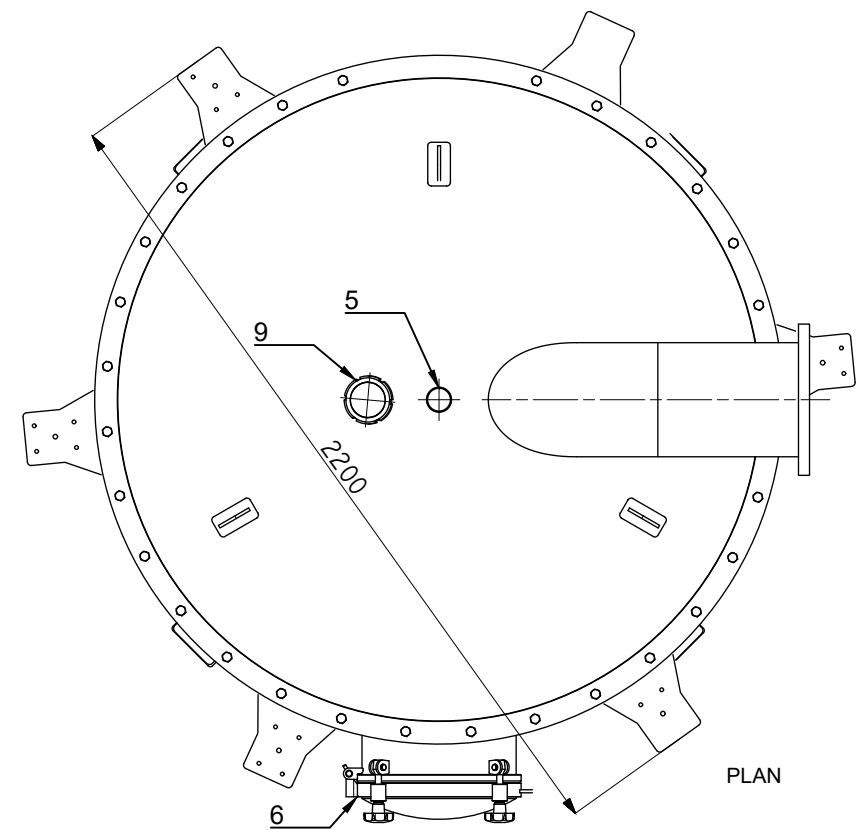
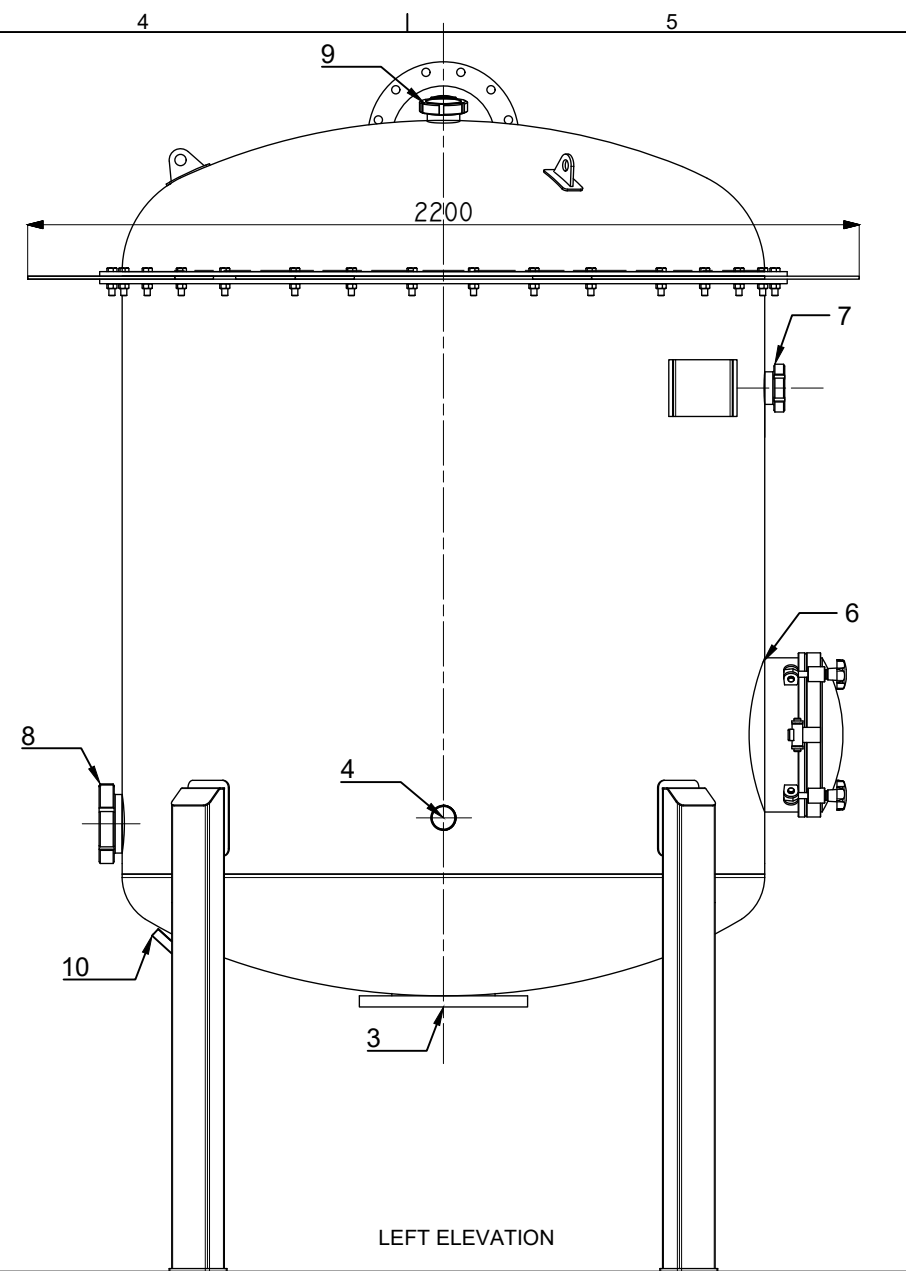
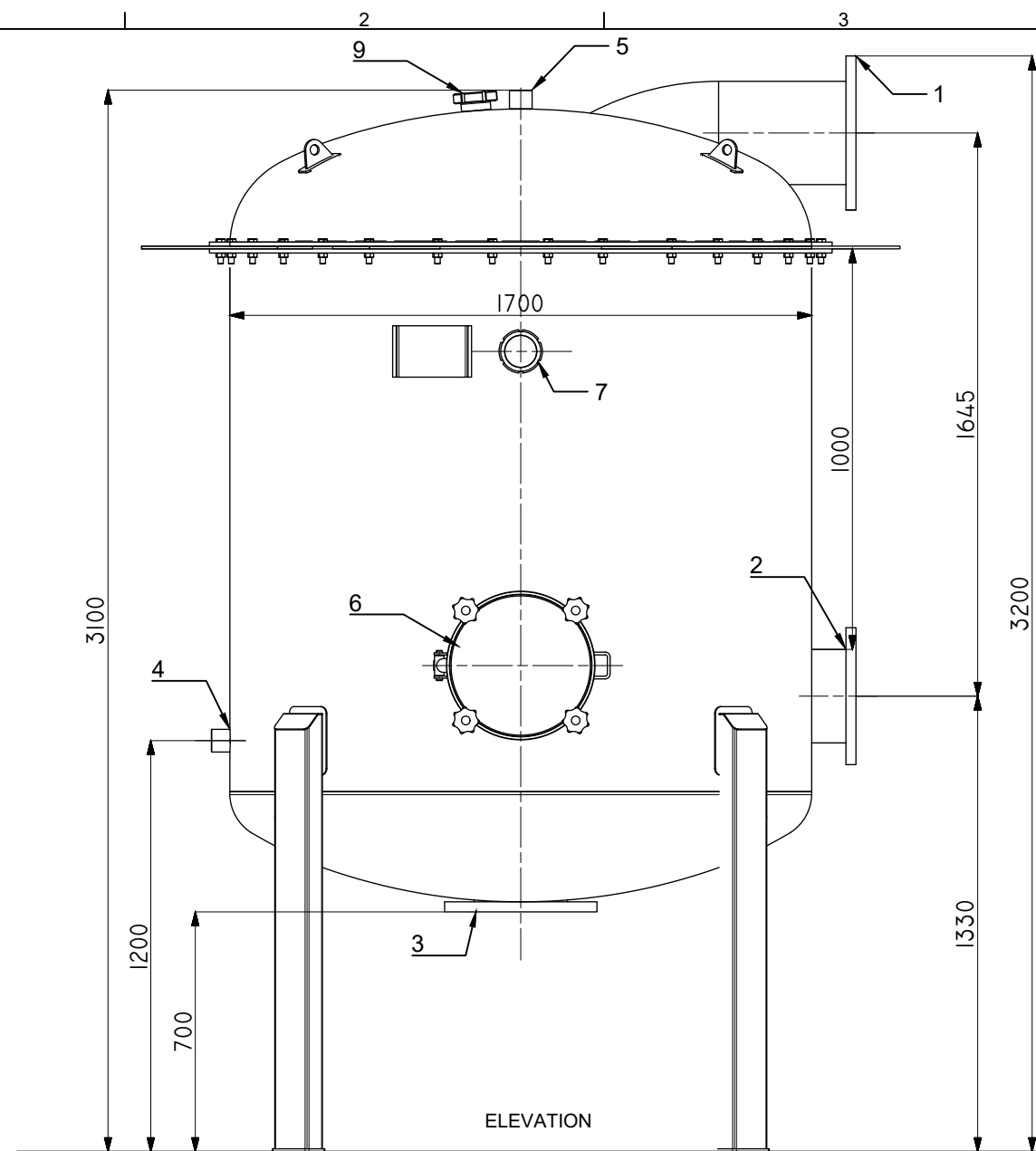


PLAN

Posicion	Elemento	Tipo
1	Conexión salida agua:(brida)	DN300
2	Conexión entrada agua:(brida)	DN300
3	Conexión desagüe: (brida)	DN250
4	Conexión entrada perlita: (rosca H)	2" RH
5	Conexión purga: (rosca hembra)	2" RH
6	Boca de hombre: (acceso)	D.400
7	Mirilla candelas: (roscada)	DN80
8	Mirilla acceso posterior: (roscada)	DN150
9	Peephole plate Manifolds: (threaded)	DN80
10	Brida Vortex	DN50


Model	Total width	Diameter inner cylinder	Ground height to flange	Total height in service and with cargo	Weight empty /weight load
HPRFV-1400L	1810 mm	1400 mm	3200 mm	3300 mm	1990/4790 kg

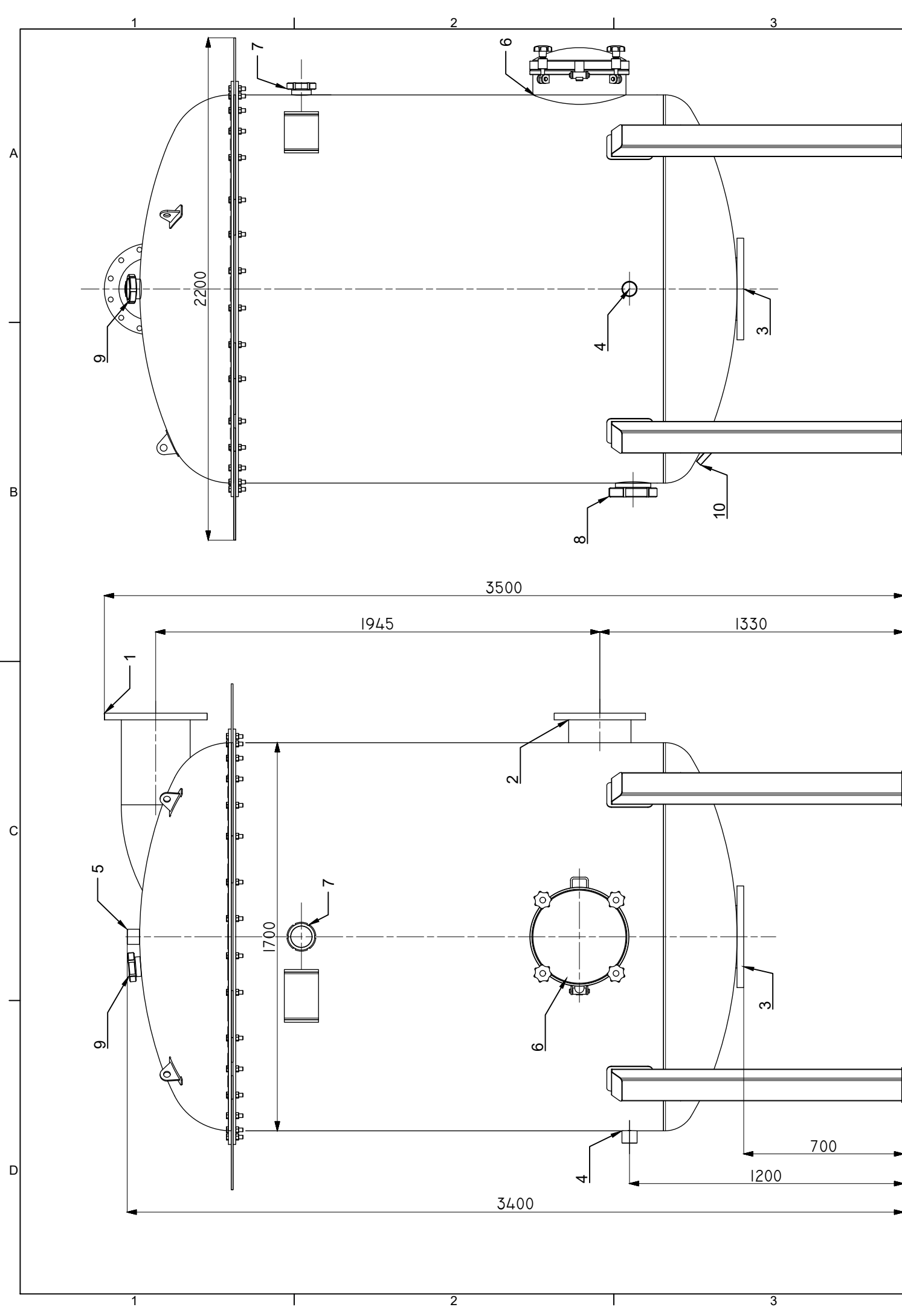
 Regenerative filtering system	Revised: M. Amella March 2024	Revision nº: 0	Date: March 2024	Din-A4: 1/20 Drawing nº: 08
	Drawn: J.Rodriguez March 2022	Efficpool HPRFV-1400L filter		
HÍDRICA PRODUCTS Av de Falset, 136, 43206 REUS (SPAIN) +34 931 700 052, + 34 977 333 982 info@efficpool.com				



Position	Element	Type
1	Output Connection Water: (flange)	DN300
2	Input connection Water: (flange)	DN300
3	Connection Drain: (flange)	DN300
4	Input connection Perlite: (H thread)	2" RH
5	Purge Connection: (female thread)	2" RH
6	Manhole: (access)	D.400
7	Candle peephole: (threaded)	DN80
8	Peephole access Rear: (threaded)	DN150
9	Peephole plate Manifolds: (threaded)	DN80
10	Vortex flange	DN50

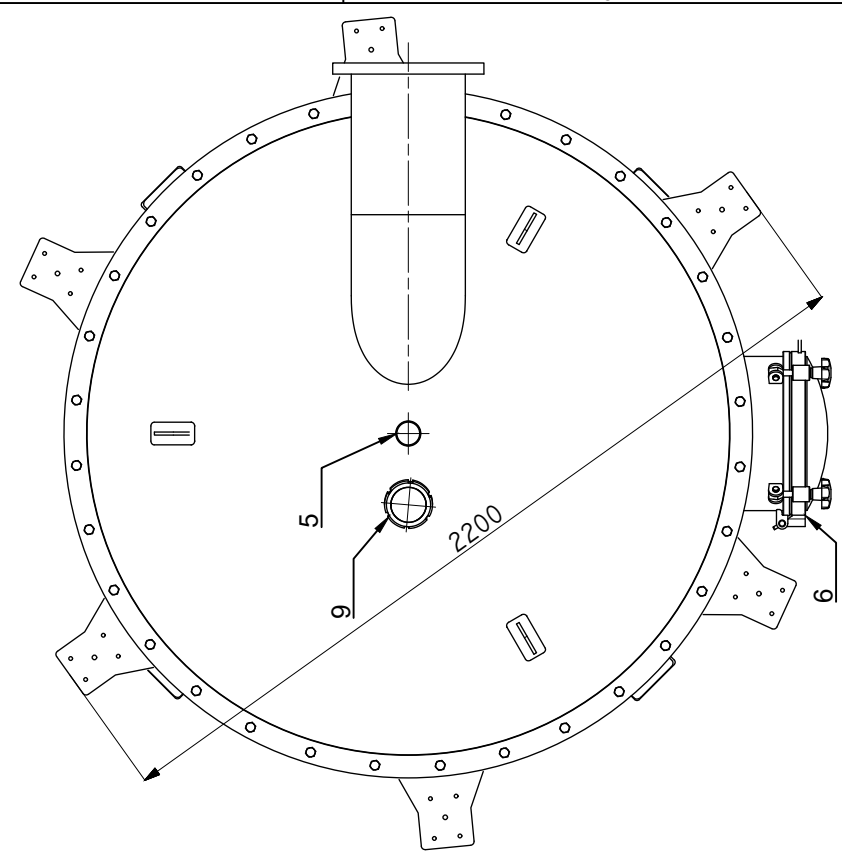
Model	Total width	Diameter inner cylinder	Ground height to flange	Total height In service and with cargo	Weight empty /weight load
HPRFV-1700	2200 mm	1700 mm	3200 mm	3300 mm	1990/4790 kg

 Regenerative filtering system	Revised: M. Amella March 2024	Revision nº: 0	Date: March 2024	Din-A4: 1/20
	Drawn: J.Rodríguez March 2024	Efficpool HI-1600 filter		
HÍDRICA PRODUCTS Av de Falset, 136, 43206 REUS (SPAIN) +34 931 700 052, + 34 977 333 982 info@efficpool.com				



LEFT ELEVATION


ELEVATION



PLAN

Position	Element	Type
1	Output Connection Water:(flange)	DN300
2	Input connection Water:(flange)	DN300
3	Connection Drain: (flange)	DN300
4	Input connection Perlite: (H thread)	2" RH
5	Purge Connection: (female thread)	2" RH
6	Manhole: (access)	D.400
7	Candle peephole: (threaded)	DN80
8	Peephole access Rear: (threaded)	DN150
9	Peephole plate Manifolds: (threaded)	DN80
10	Vortex flange	DN50

Model	Total width	Diameter inner cylinder	Ground height to flange	Total height In service and with cargo	Weight empty /weight load
HPRFV-1700L	2200 mm	1700 mm	3500 mm	3700 mm	1990/4790 kg

 Regenerative filtering system	Revised: M. Amella March 2024	Revision nº: 0	Date: March 2024	Din-A4: 1/20
	Drawn: J.Rodríguez March 2024	Efficpool HI-1700L filter		
HÍDRICA PRODUCTS Av de Falset, 136, 43206 REUS (SPAIN) +34 931 700 052, + 34 977 333 982 info@efficpool.com				