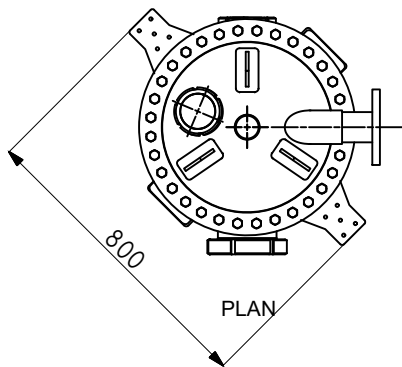


ELEVATION

LEFT ELEVATION



PLAN

Position	Element	Type
1	Output Connection Water: (flange)	DN80
2	Input connection Water: (flange)	DN80
3	Connection Drain: (flange)	DN80
4	Input connection Perlite: (H thread)	2" RH
5	Purge Connection: (female thread)	2" RH
6	Manhole: (access)	D.150
7	Candle peephole: (threaded)	DN80
8	Peephole access Rear: (threaded)	DN150
9	Peephole plate Manifolds: (threaded)	DN80
10	Vortex flange	DN50

Model	Total width	Diameter inner cylinder	Ground height to flange	Total height in service and with cargo	Weight empty /weight load
HI-450	919 mm	450 mm	1795 mm	2000 mm	190/410 kg

efficpool
Regenerative filtering system

Revised: M. Amella February 2024

Revision nº: 02

Date: February 2024

Din-A4: 1/20

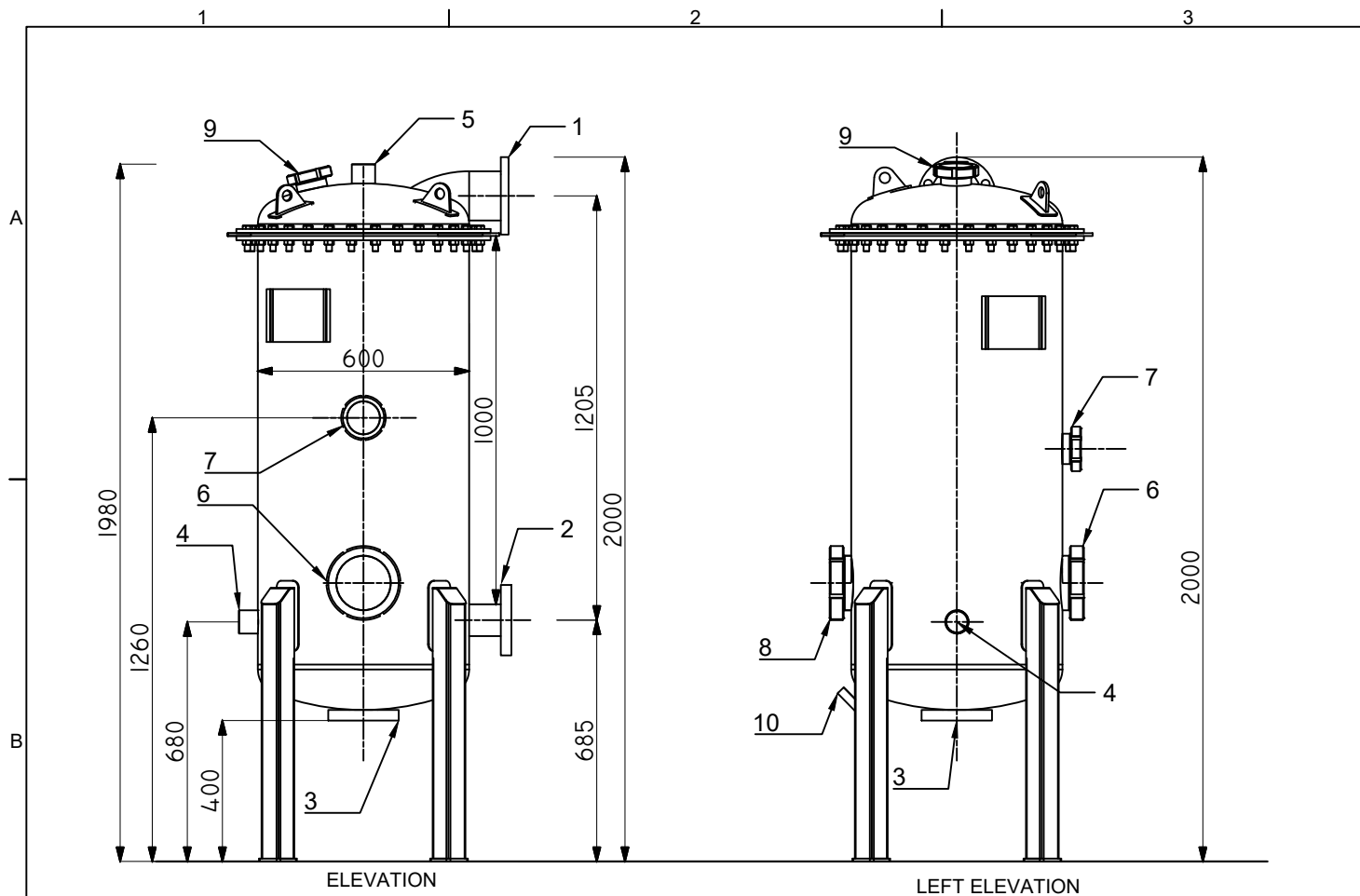
Drawn: J.Rodriguez Noviembre 2022

Drawing nº:

HÍDRICA PRODUCTS | Av de Falset, 136, 43206 REUS (SPAIN)
| +34 931 700 052, + 34 977 333 982 | info@efficpool.com

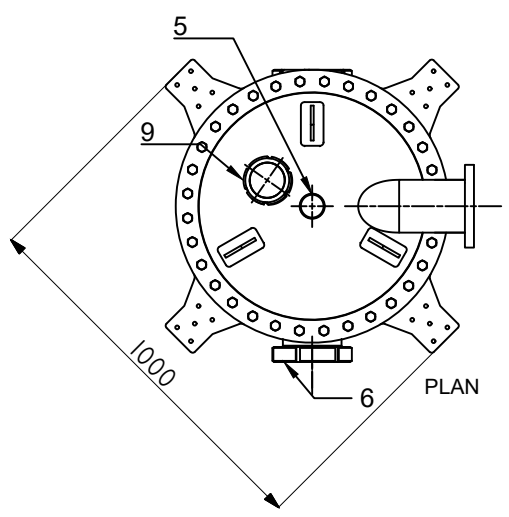
Filtro Efficpool HI-450

01



ELEVATION

LEFT ELEVATION



PLAN

Position	Element	Type
1	Output Connection Water:(flange)	DN100
2	Input connection Water:(flange)	DN100
3	Connection Drain: (flange)	DN80
4	Input connection Perlite: (H thread)	2" RH
5	Purge Connection: (female thread)	2" RH
6	Manhole: (access)	D.150
7	Candle peephole: (threaded)	DN80
8	Peephole access Rear: (threaded)	DN150
9	Peephole plate Manifolds: (threaded)	DN80
10	Vortex flange	DN50

Model	Total width	Diameter inner cylinder	Ground height to flange	Total height In service and with cargo	Weight empty /weight load
HI-600	1000 mm	600 mm	2000 mm	2100 mm	305/685 kg



Revised: M. Amella February 2024
 Drawn: J.Rodriguez Octubre 2023

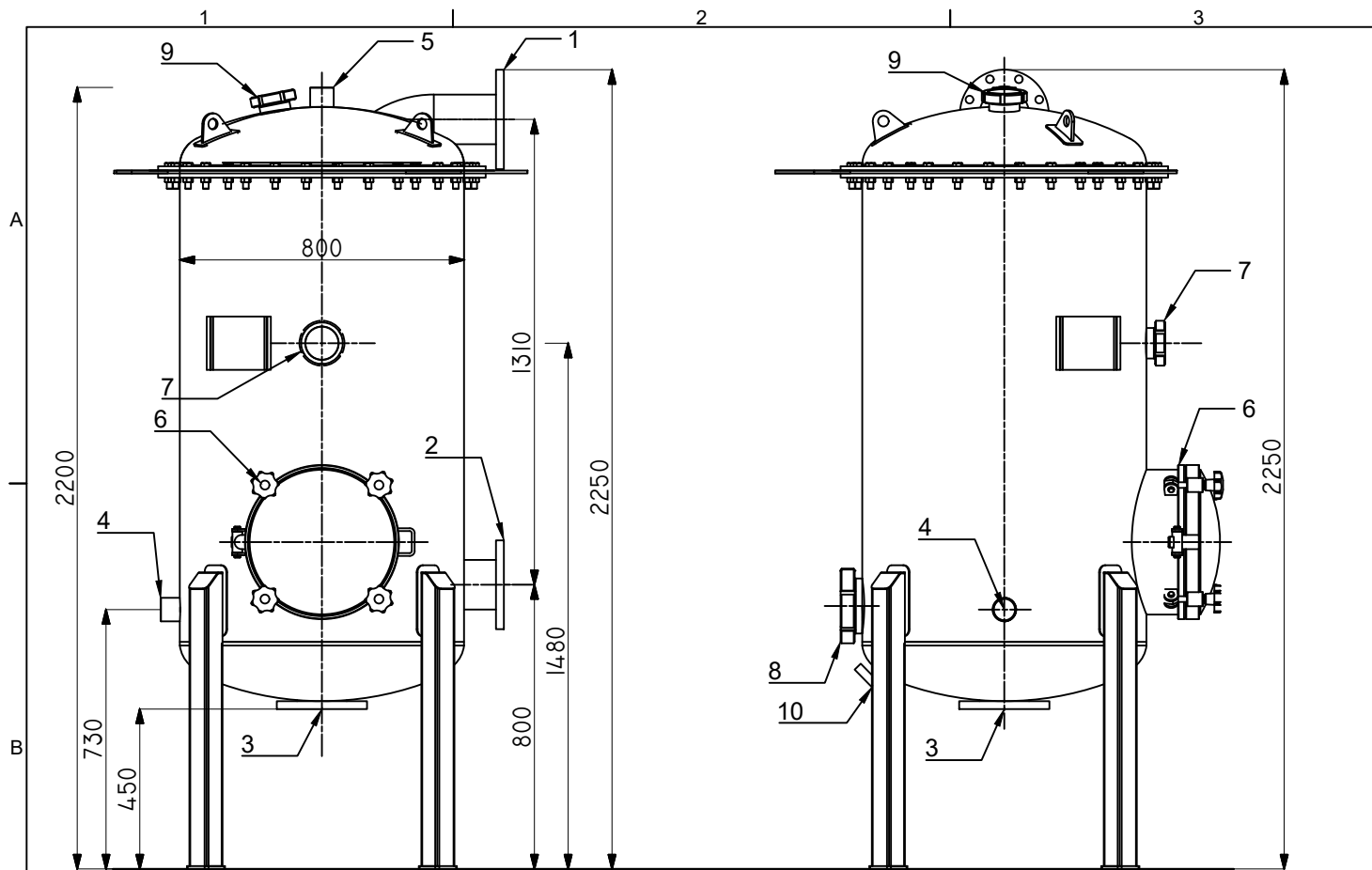
Revision nº: 02 Date: February 2024

Din-A4: 1/20

HÍDRICA PRODUCTS | Av de Falset, 136, 43206 REUS (SPAIN)
 | +34 931 700 052, + 34 977 333 982 | info@efficpool.com

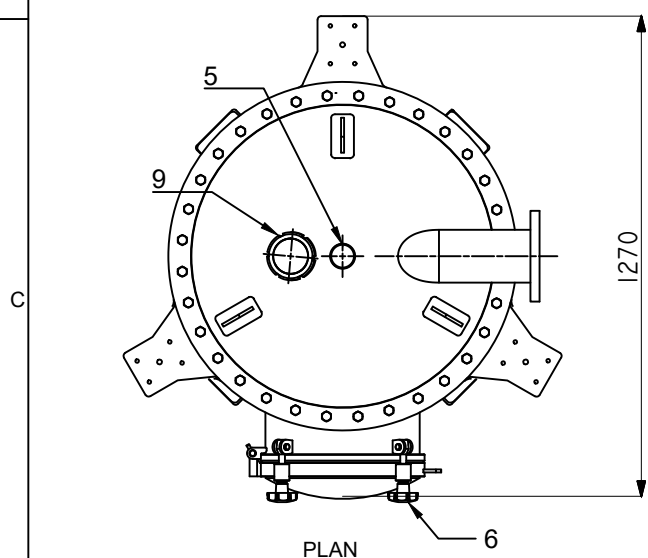
Efficpool HI-600 filter

Drawing nº:
02



ELEVATION

LEFT ELEVATION



PLAN

Position	Element	Type
1	Output Connection Water:(flange)	DN150
2	Input connection Water:(flange)	DN150
3	Connection Drain: (flange)	DN100
4	Input connection Perlite: (H thread)	2" RH
5	Purge Connection: (female thread)	2" RH
6	Manhole: (access)	D.400
7	Candle peephole: (threaded)	DN80
8	Peephole access Rear: (threaded)	DN150
9	Peephole plate Manifolds: (threaded)	DN80
10	Vortex flange	DN50

Model	Total width	Diameter inner cylinder	Ground height to flange	Total height In service and with cargo	Weight empty /weight load
HI-800	1270 mm	800 mm	2250 mm	2550 mm	510/1200 kg

efficpool
Regenerative filtering system

Revised: M. Amella February 2024

Revision nº: 02

Date: February 2024

Din-A4: 1/20

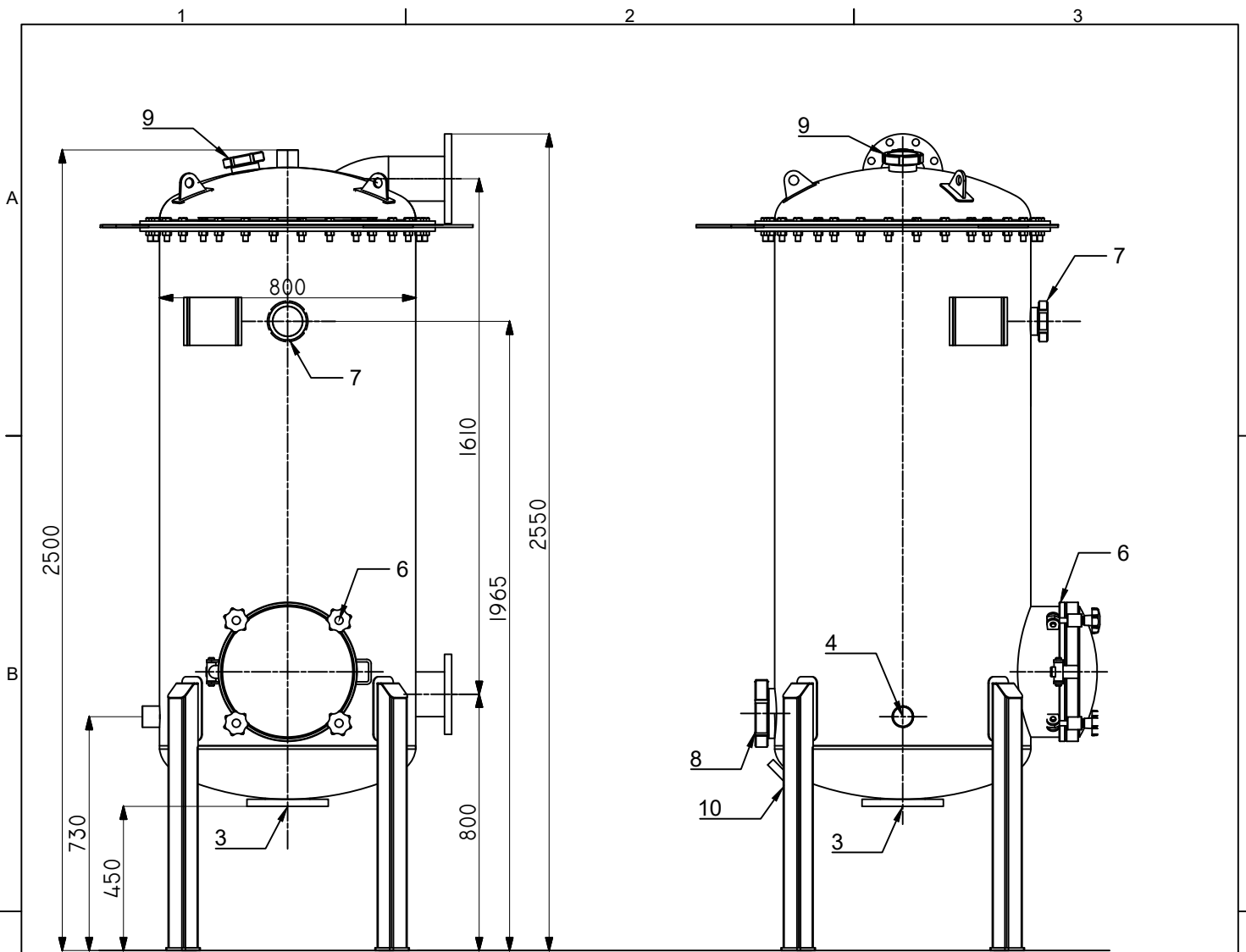
Drawn: J.Rodriguez Noviembre 2022

Filtro Efficpool HI-850

Drawing nº:

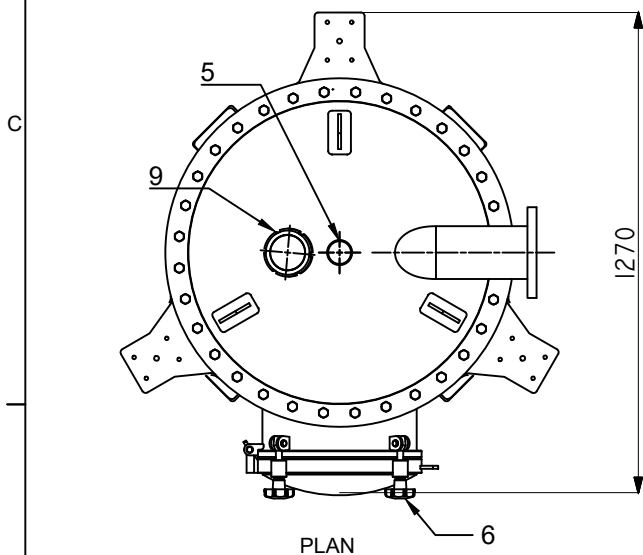
03

HÍDRICA PRODUCTS | Av de Falset, 136, 43206 REUS (SPAIN)
| +34 931 700 052, + 34 977 333 982 | info@efficpool.com



ELEVATION

LEFT ELEVATION



PLAN

Position	Element	Type
1	Output Connection Water:(flange)	DN150
2	Input connection Water:(flange)	DN150
3	Connection Drain: (flange)	DN100
4	Input connection Perlite: (H thread)	2" RH
5	Purge Connection: (female thread)	2" RH
6	Manhole: (access)	D.400
7	Candle peephole: (threaded)	DN80
8	Peephole access Rear: (threaded)	DN150
9	Peephole plate Manifolds: (threaded)	DN80
10	Vortex flange	DN50

Model	Total width	Diameter inner cylinder	Ground height to flange	Total height In service and with cargo	Weight empty /weight load
HI-800L	1270 mm	800 mm	2550 mm	2400 mm	510/1200 kg



Revised: M. Amella February 2024
 Drawn: J.Rodriguez Noviembre 2022

Revision nº: 02 Date: February 2024

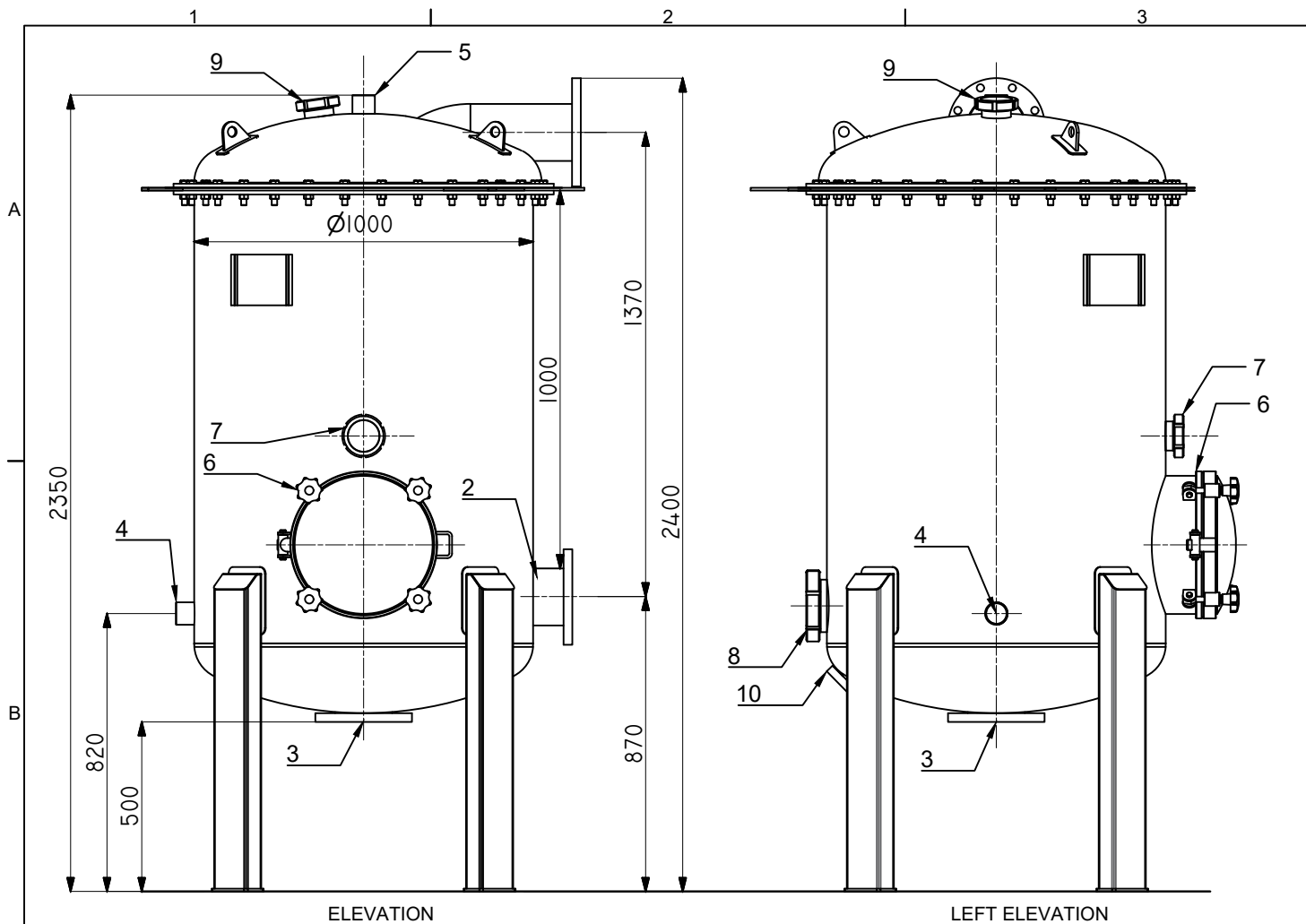
Din-A4: 1/20

HÍDRICA PRODUCTS | Av de Falset, 136, 43206 REUS (SPAIN)
 | +34 931 700 052, + 34 977 333 982 | info@efficpool.com

Filtro Efficpool HI-800L

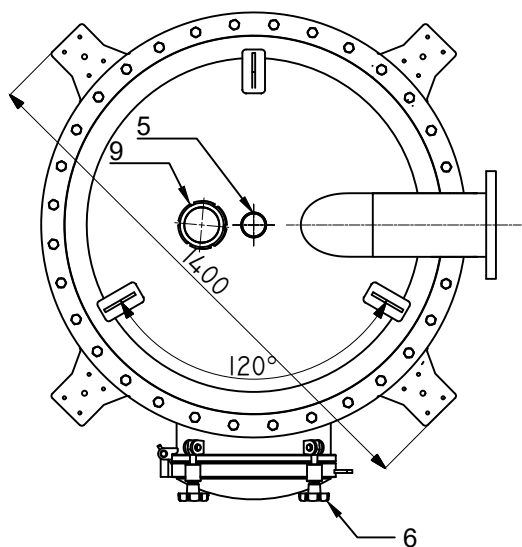
Drawing nº:

03



ELEVATION

LEFT ELEVATION



PLAN

Position	Element	Type
1	Output Connection Water: (flange)	DN200
2	Input connection Water: (flange)	DN200
3	Connection Drain: (flange)	DN150
4	Input connection Perlite: (H thread)	2" RH
5	Purge Connection: (female thread)	2" RH
6	Manhole: (access)	D.400
7	Candle peephole: (threaded)	DN80
8	Peephole access Rear: (threaded)	DN150
9	Peephole plate Manifolds: (threaded)	DN80
10	Vortex flange	DN50

Model	Total width	Diameter inner cylinder	Ground height to flange	Total height in service and with cargo	Weight empty /weight load
HI-1000	1400 mm	1000 mm	2400 mm	2700 mm	820/1920 kg



Revised:
M. Amella February 2024
Drawn:
J.Rodriguez Noviembre 2023

Revision nº: 02 Date: February 2024

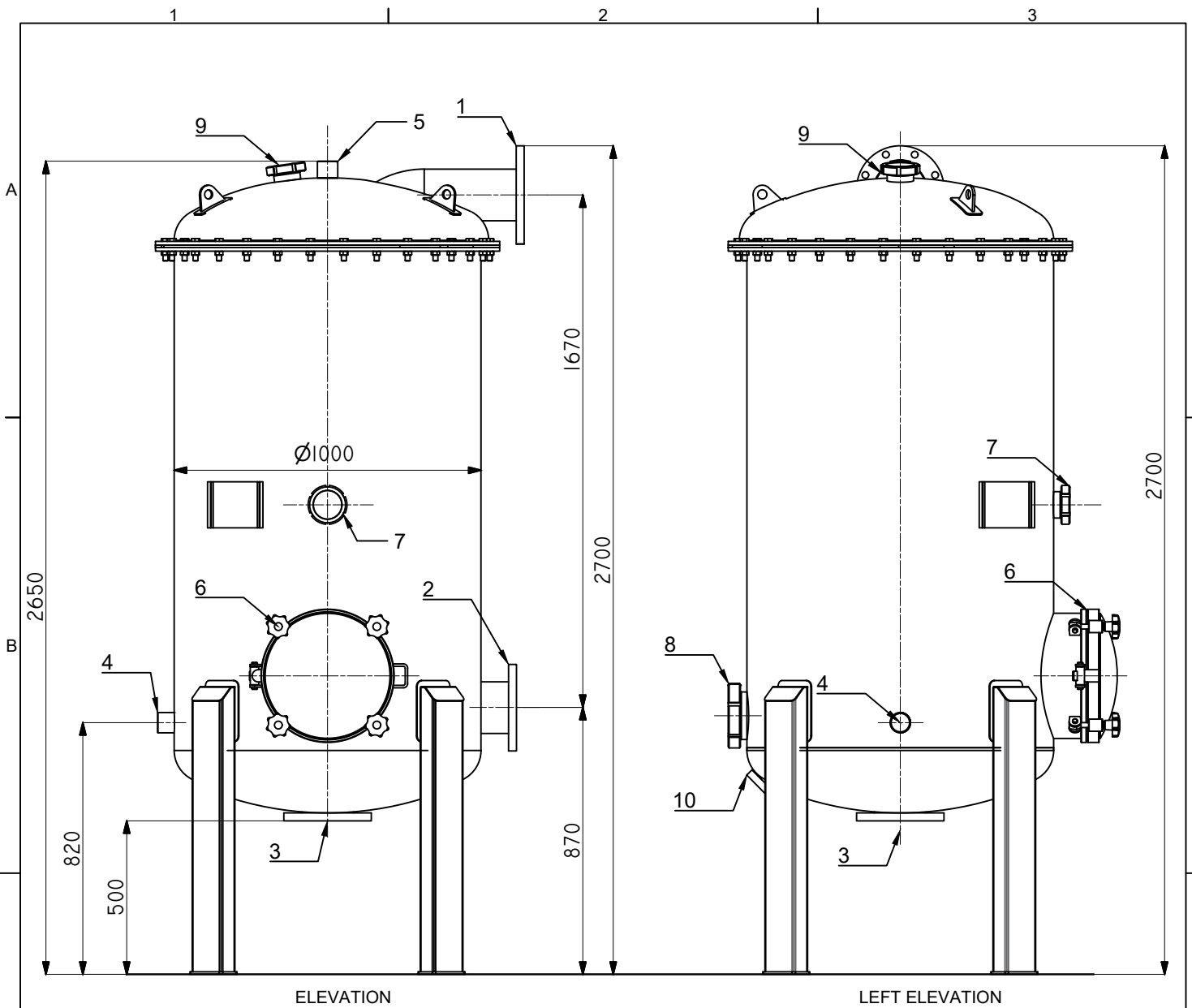
Din-A4: 1/20

HÍDRICA PRODUCTS | Av de Falset, 136, 43206 REUS (SPAIN)
| +34 931 700 052, + 34 977 333 982 | info@efficpool.com

Efficpool HI-1000 filter

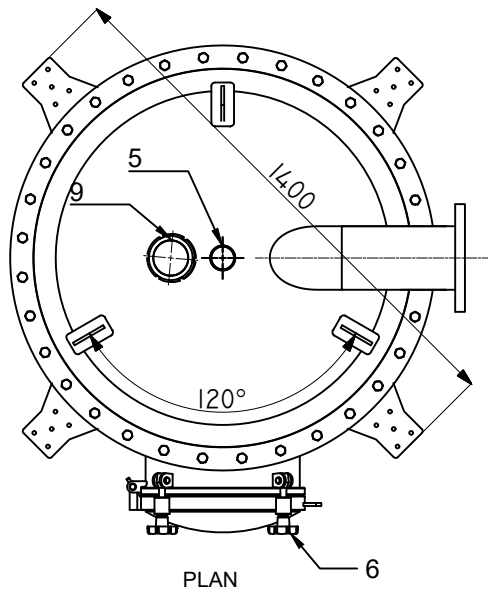
Drawing nº:

05



ELEVATION

LEFT ELEVATION



PLAN

Position	Element	Type
1	Output Connection Water:(flange)	DN250
2	Input connection Water:(flange)	DN250
3	Connection Drain: (flange)	DN200
4	Input connection Perlite: (H thread)	2" RH
5	Purge Connection: (female thread)	2" RH
6	Manhole: (access)	D.400
7	Candle peephole: (threaded)	DN80
8	Peephole access Rear: (threaded)	DN150
9	Peephole plate Manifolds: (threaded)	DN80
10	Vortex flange	DN50

Model	Total width	Diameter inner cylinder	Ground height to flange	Total height In service and with cargo	Weight empty /weight load
HI-1000L	1400 mm	1000 mm	2700 mm	3100 mm	3500 mm 895/2230 kg



Revised:
M. Amella February 2024
Drawn:
J.Rodriguez Noviembre 2022

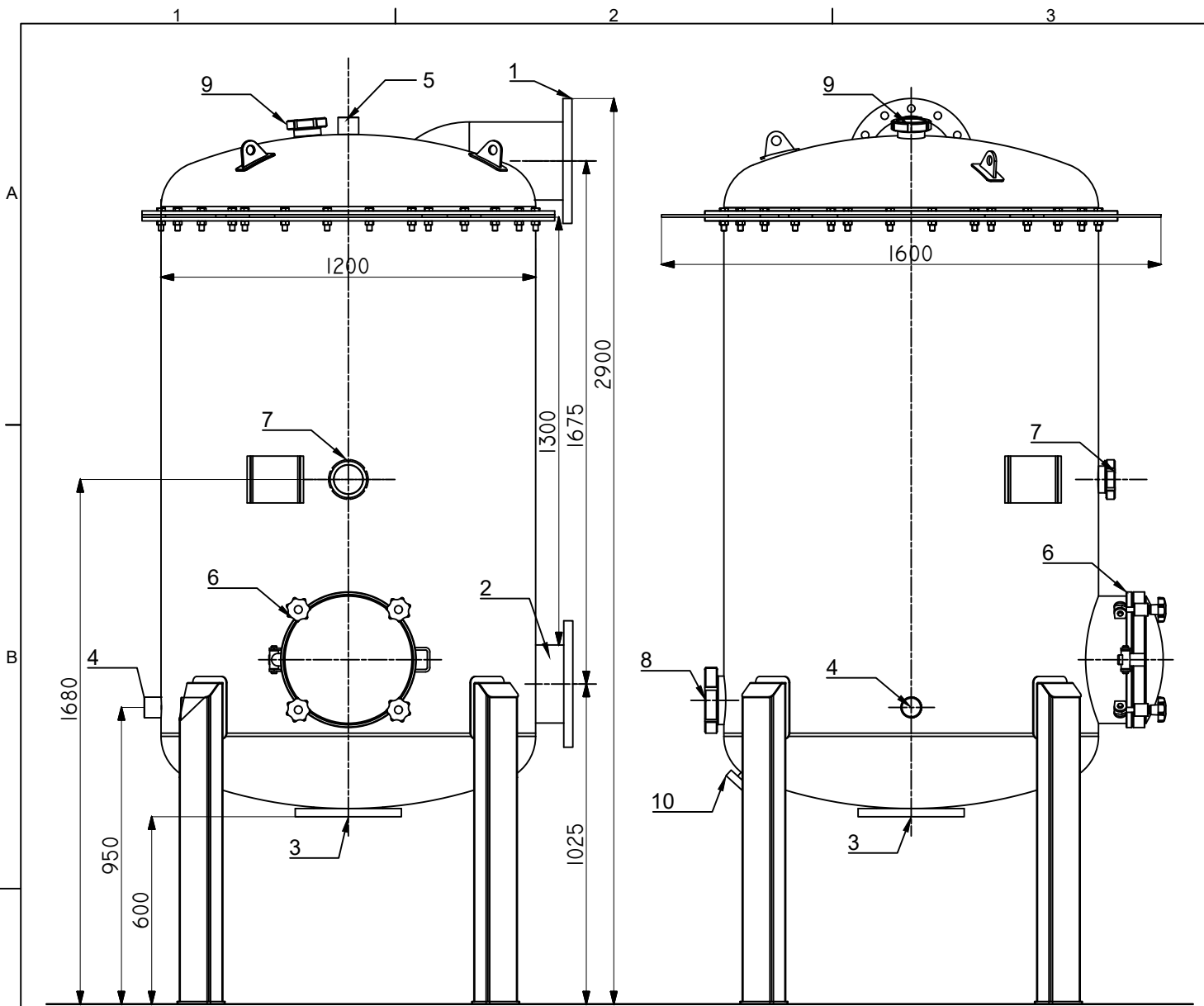
Revision nº: 03 Date: Diciembre 2023

Din-A4: 1/20

Filtro Efficpool HI-1000L

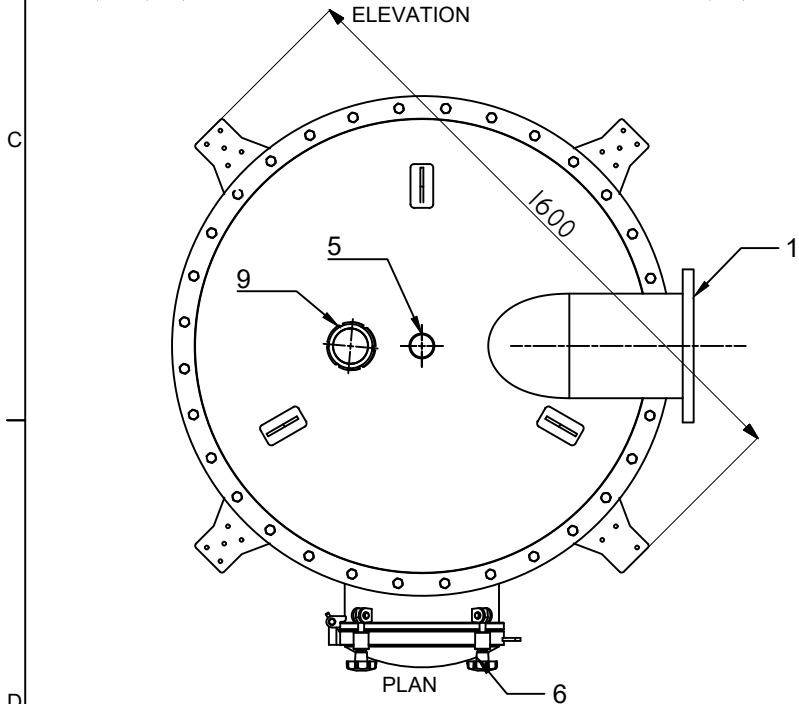
Drawing nº:

06



ELEVATION

LEFT ELEVATION



PLAN

Position	Element	Type
1	Output Connection Water: (flange)	DN250
2	Input connection Water: (flange)	DN250
3	Connection Drain: (flange)	DN200
4	Input connection Perlite: (H thread)	2" RH
5	Purge Connection: (female thread)	2" RH
6	Manhole: (access)	D.400
7	Candle peephole: (threaded)	DN80
8	Peephole access Rear: (threaded)	DN150
9	Peephole plate Manifolds: (threaded)	DN80
10	Vortex flange	DN50

Model	Total width	Diameter inner cylinder	Ground height to flange	Total height In service and with cargo	Weight empty /weight load
HI-1200L	1600 mm	1200 mm	2900 mm	3100 mm	1500/3935 kg



Revised: M. Amella February 2024

Drawn: J.Rodriguez Octubre 2022

Revision nº: 02

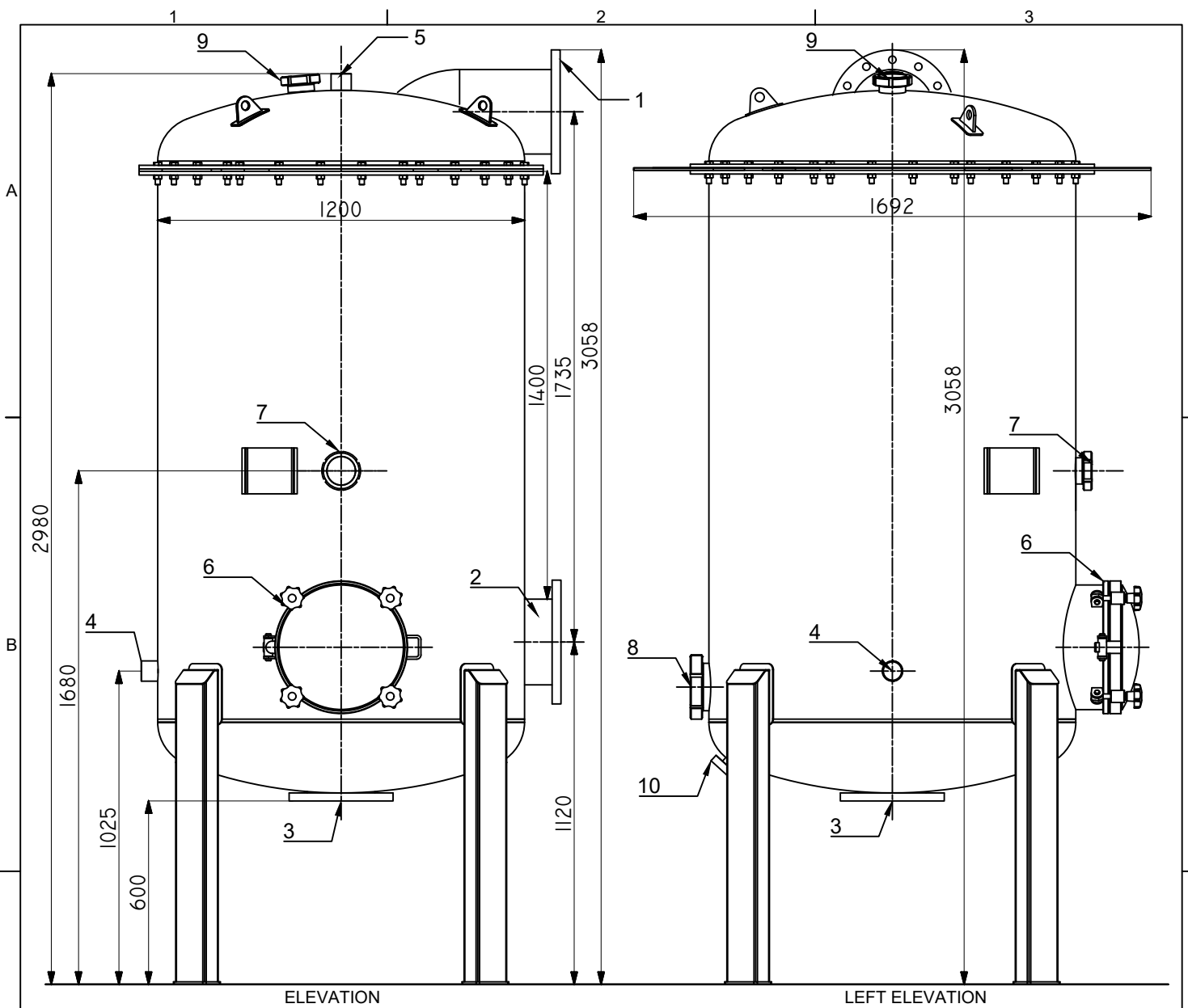
Date: February 2024

Scale: Din-A4: 1/20

Efficpool filter HI-1200L

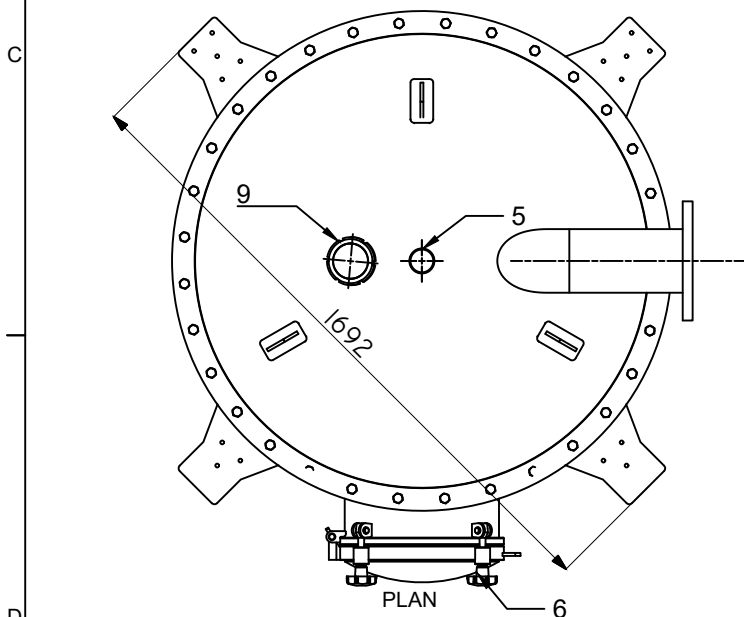
Drawing nº:

08



ELEVATION

LEFT ELEVATION



PLAN

Position	Element	Type
1	Output Connection Water: (flange)	DN250
2	Input connection Water: (flange)	DN250
3	Connection Drain: (flange)	DN200
4	Input connection Perlite: (H thread)	2" RH
5	Purge Connection: (female thread)	2" RH
6	Manhole: (access)	D.400
7	Candle peephole: (threaded)	DN80
8	Peephole access Rear: (threaded)	DN150
9	Peephole plate Manifolds: (threaded)	DN80
10	Vortex flange	DN50

Model	Total width	Diameter inner cylinder	Ground height to flange	Total height In service and with cargo	Weight empty /weight load
HI-1200L	1692 mm	1200 mm	3058 mm	3250 mm	1500/3935 kg



Revised: M. Amella February 2024

Drawn: J.Rodriguez Octubre 2022

Revision nº: 02

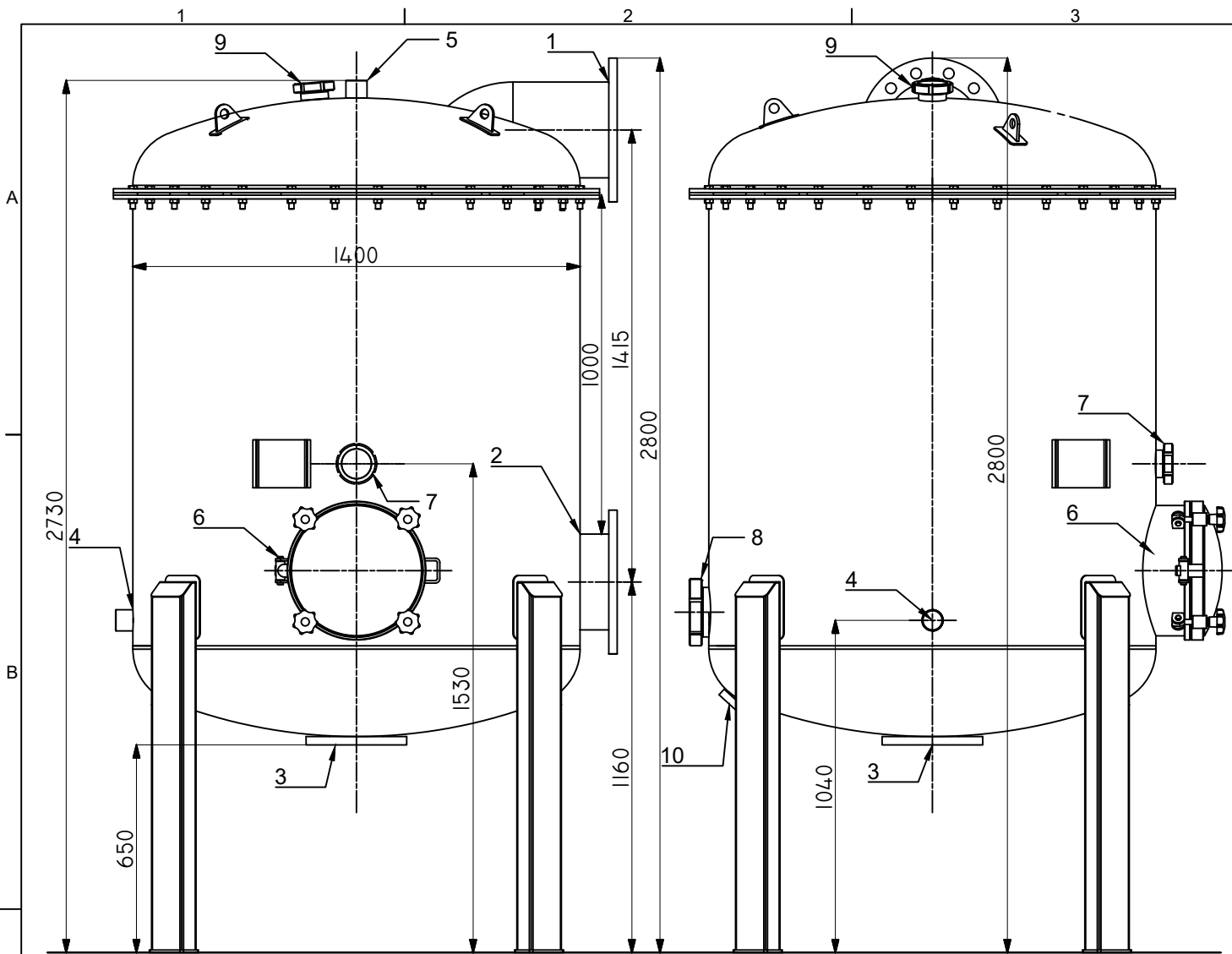
Date: February 2024

Escale: Din-A4: 1/20

Drawing nº:

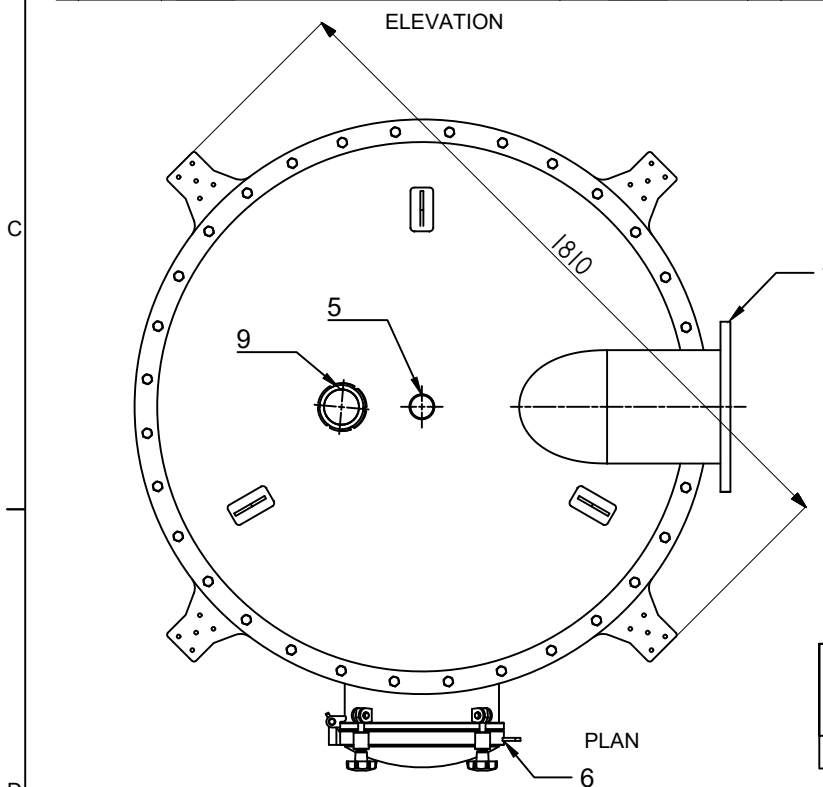
Efficpool filter HI-1200L

08



ELEVATION

LEFT ELEVATION



PLAN

Position	Element	Type
1	Output Connection Water: (flange)	DN300
2	Input connection Water: (flange)	DN300
3	Connection Drain: (flange)	DN250
4	Input connection Perlite: (H thread)	2" RH
5	Purge Connection: (female thread)	2" RH
6	Manhole: (access)	D.400
7	Candle peephole: (threaded)	DN80
8	Peephole access Rear: (threaded)	DN150
9	Peephole plate Manifolds: (threaded)	DN80
10	Vortex flange	DN50

Model	Total width	Diameter inner cylinder	Ground height to flange	Total height In service and with cargo	Weight empty /weight load
HI-1400	1810 mm	1400 mm	2800 mm	3100 mm	1380/3280 kg



Revised: M. Amella February 2024

Revision nº: 02

Date: February 2024

Din-A4: 1/20

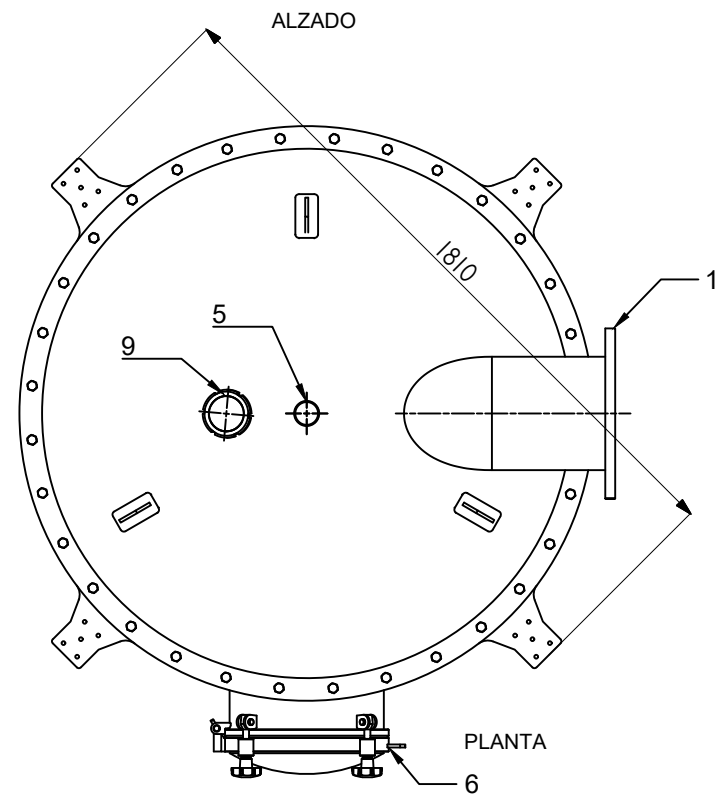
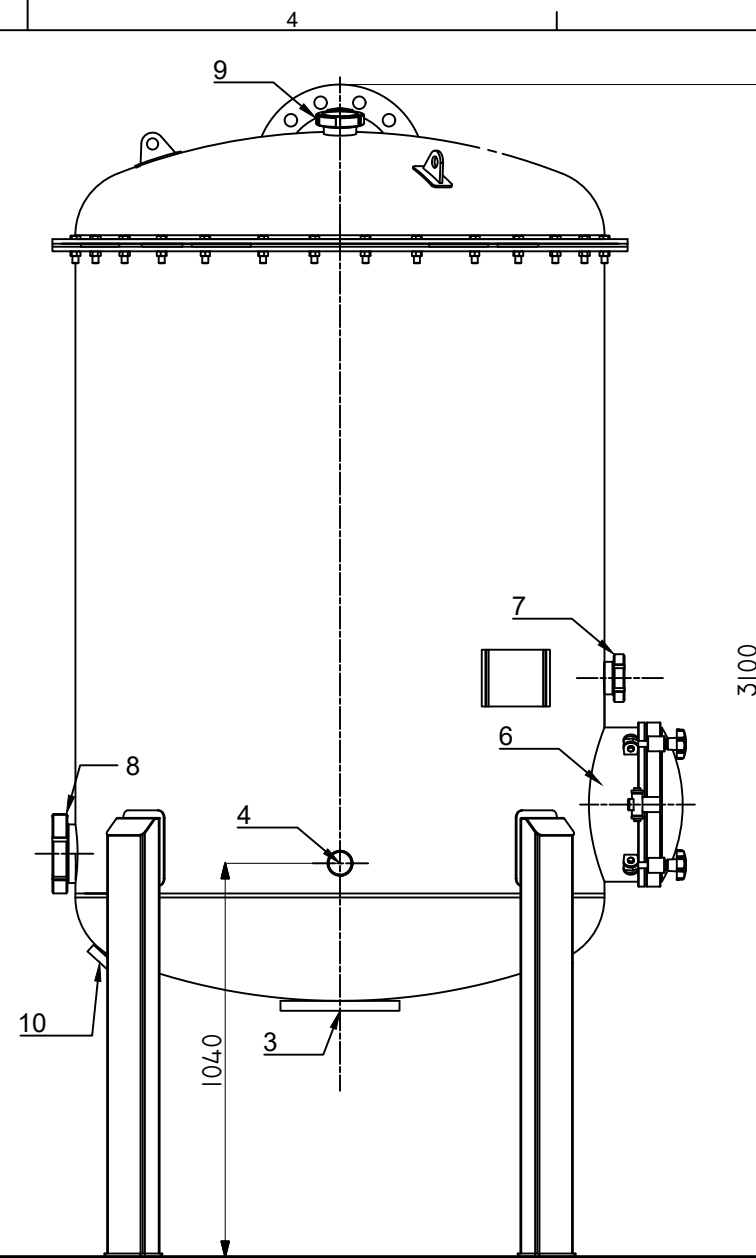
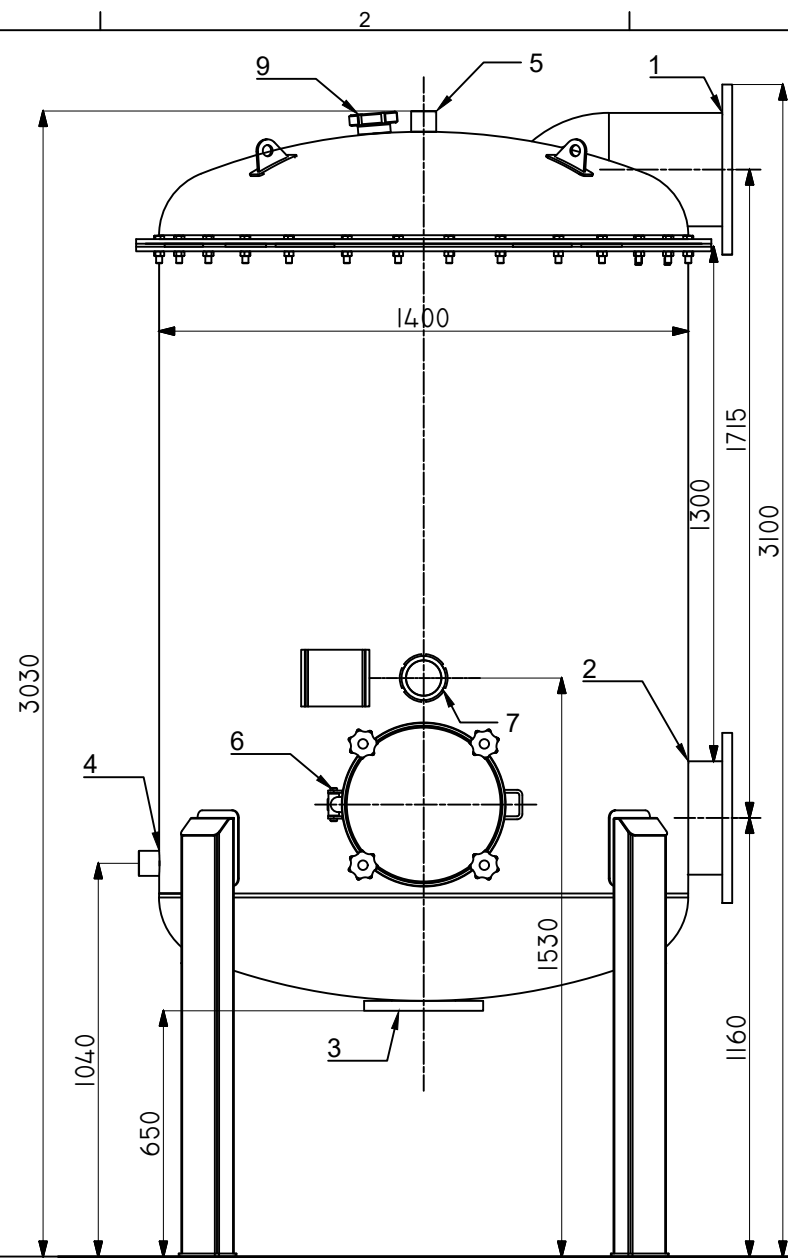
Drawn: J.Rodriguez Octubre 2022

Drawing nº:

Efficpool HI-1400 filter

07

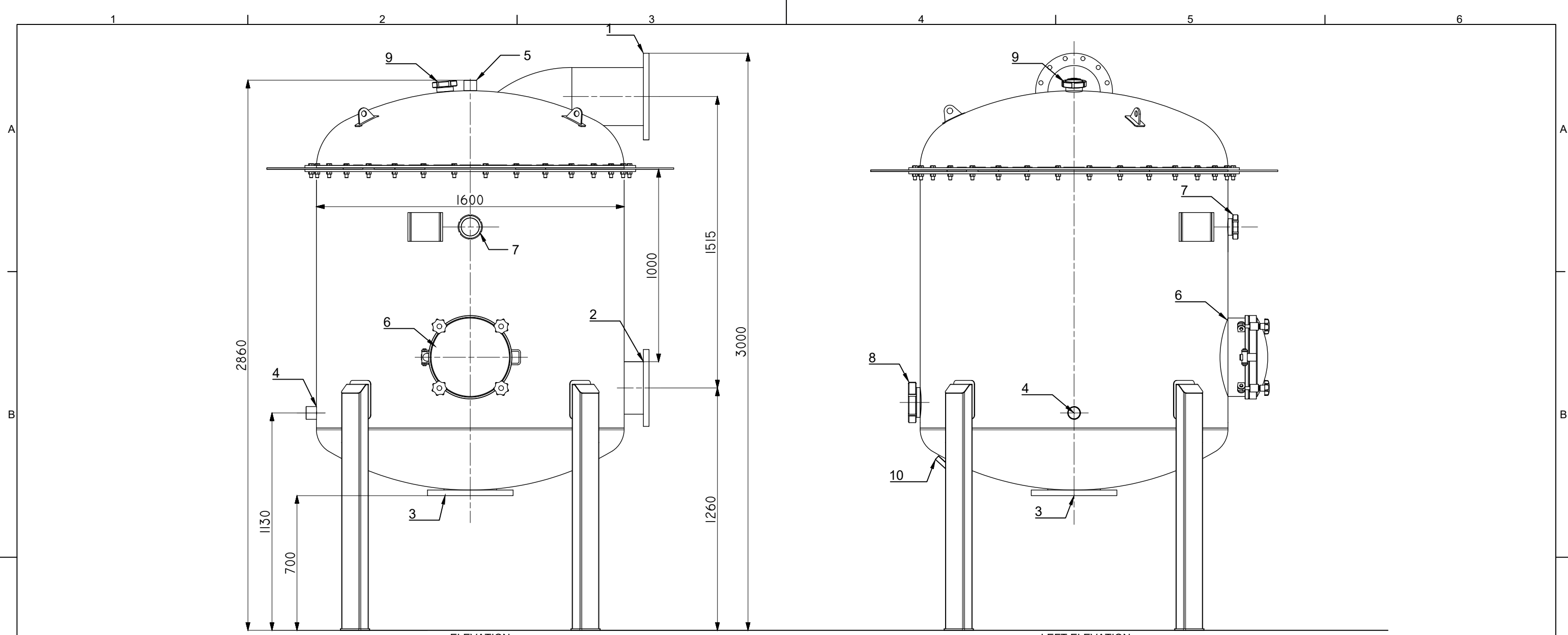
HÍDRICA PRODUCTS | Av de Falset, 136, 43206 REUS (SPAIN)
| +34 931 700 052, + 34 977 333 982 | info@efficpool.com



Posicion	Elemento	Tipo
1	Conexión salida agua:(brida)	DN300
2	Conexión entrada agua:(brida)	DN300
3	Conexión desagüe: (brida)	DN250
4	Conexión entrada perlita: (rosca H)	2" RH
5	Conexión purga: (rosca hembra)	2" RH
6	Boca de hombre: (acceso)	D.400
7	Mirilla candelas: (roscada)	DN80
8	Mirilla acceso posterior: (roscada)	DN150
9	Mirilla placa colectores: (roscada)	DN80
10	Brida Vortex	DN50

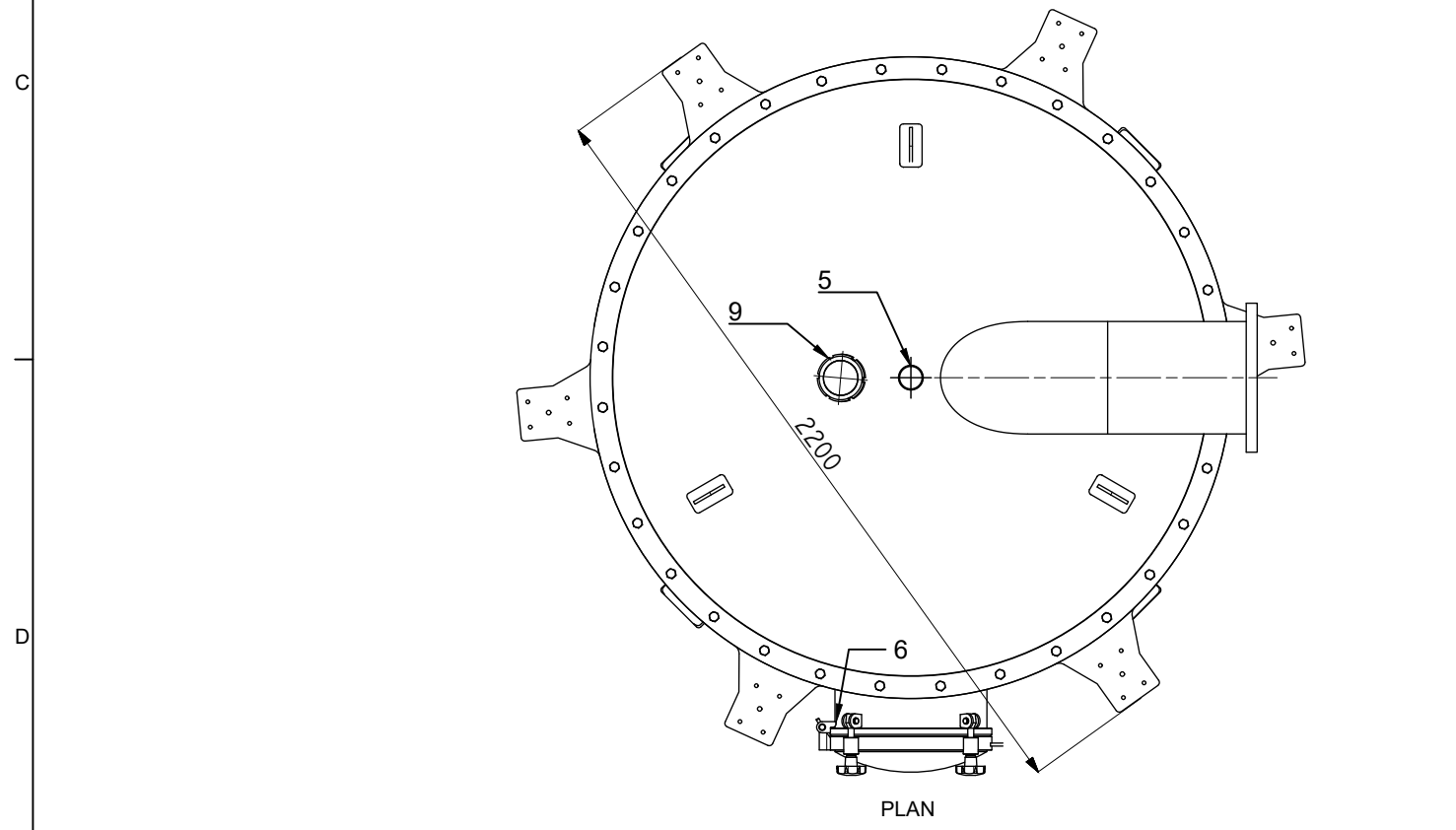
Modelo	Ancho total	Diametro interior cilindro	Altura de suelo a brida	Altura total en servicio y con carga	Peso vacío/carga
HI-1400L	1810 mm	1400 mm	3100 mm	3300 mm	1990/4790 kg

	Revisado: M. Amella Febrero 2024	Revision nº: 03	Fecha: Febrero 2024	Escala: Din-A4: 1/20
	Dibujado: J.Rodriguez Novembre 2022	Filtro Efficpool HI-1400L		Plano nº: 08
HÍDRICA PRODUCTS Av de Falset, 136, 43206 REUS (SPAIN) +34 931 700 052, + 34 977 333 982 info@efficpool.com				



ELEVATION

LEFT ELEVATION

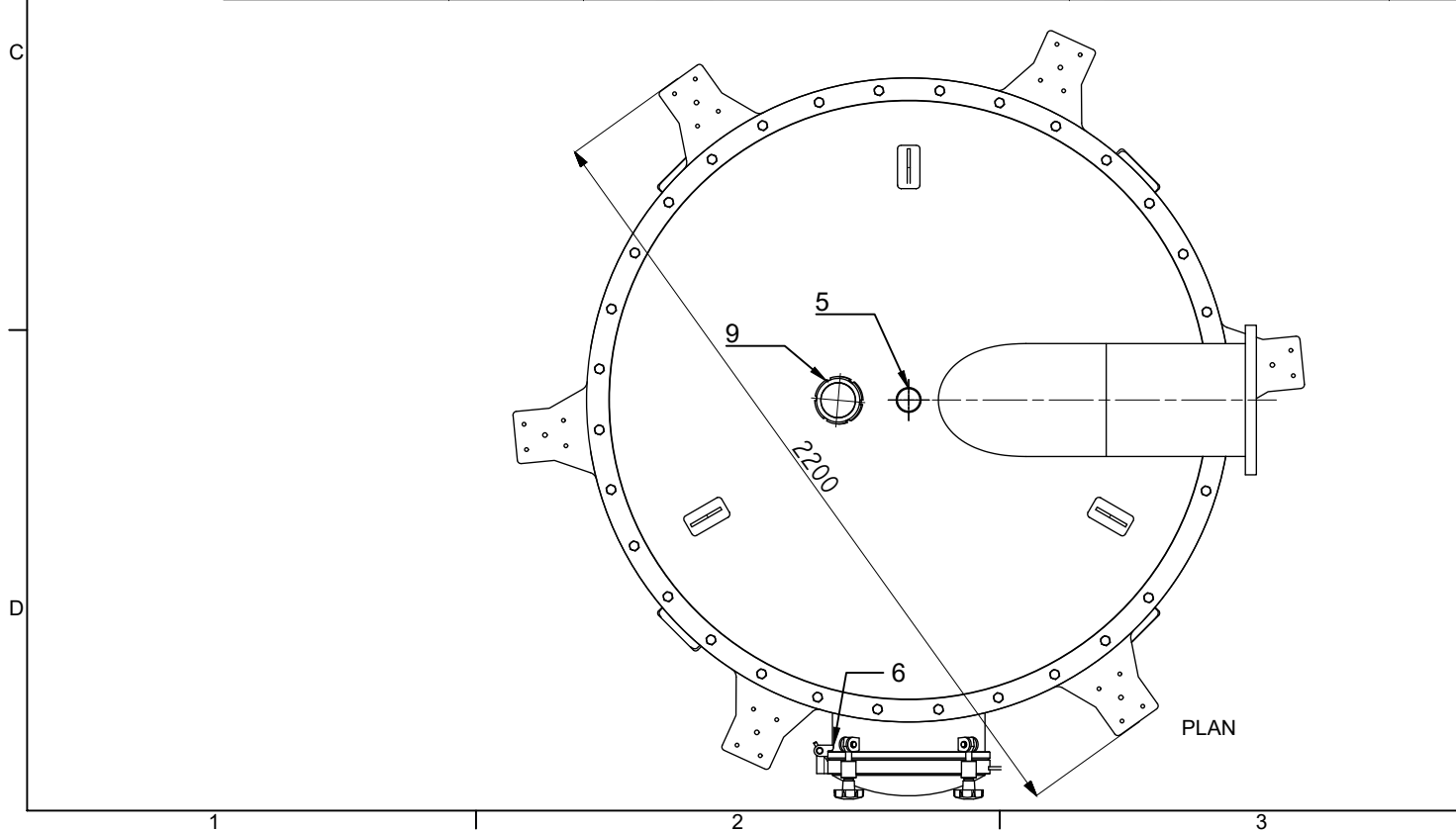
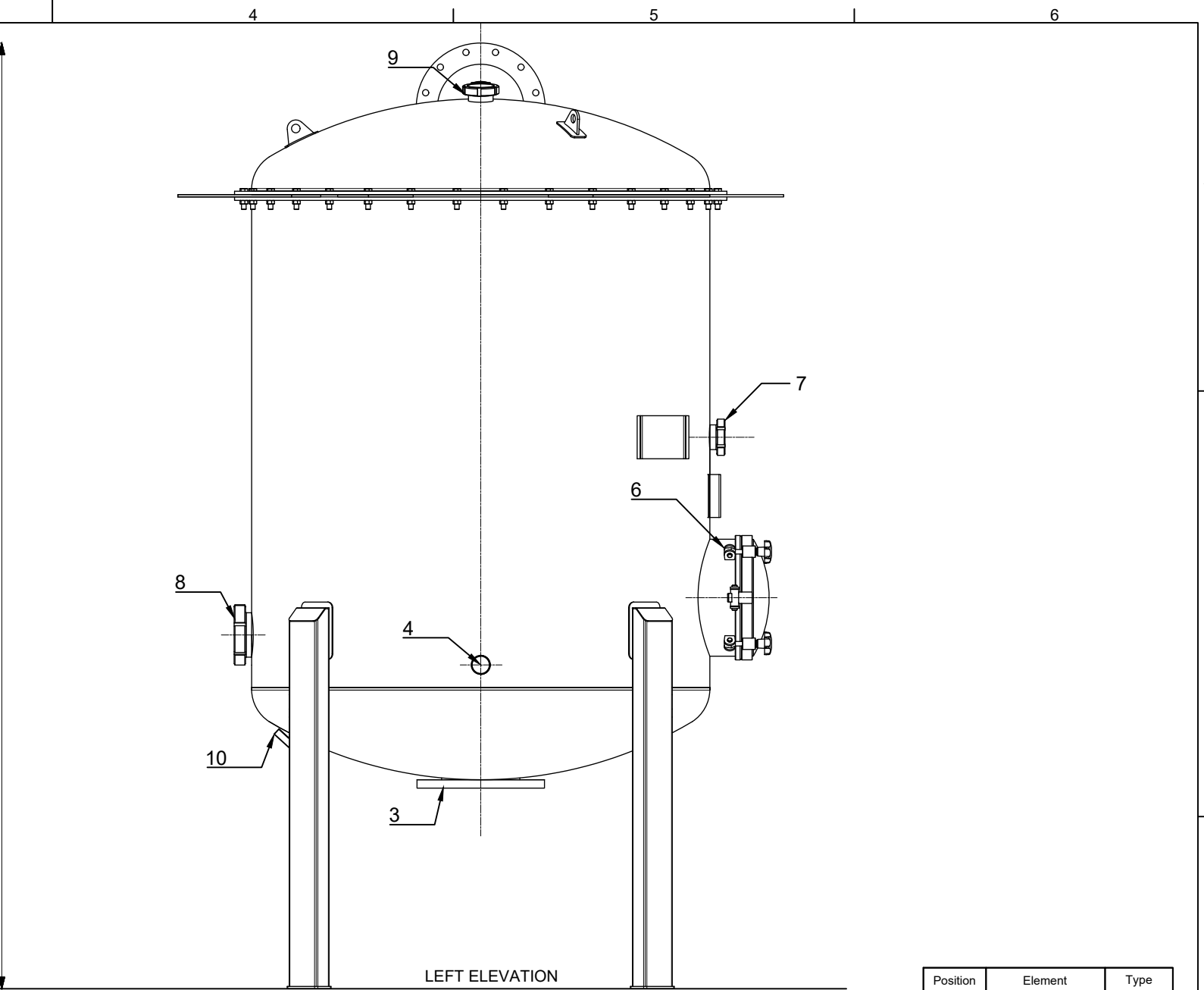
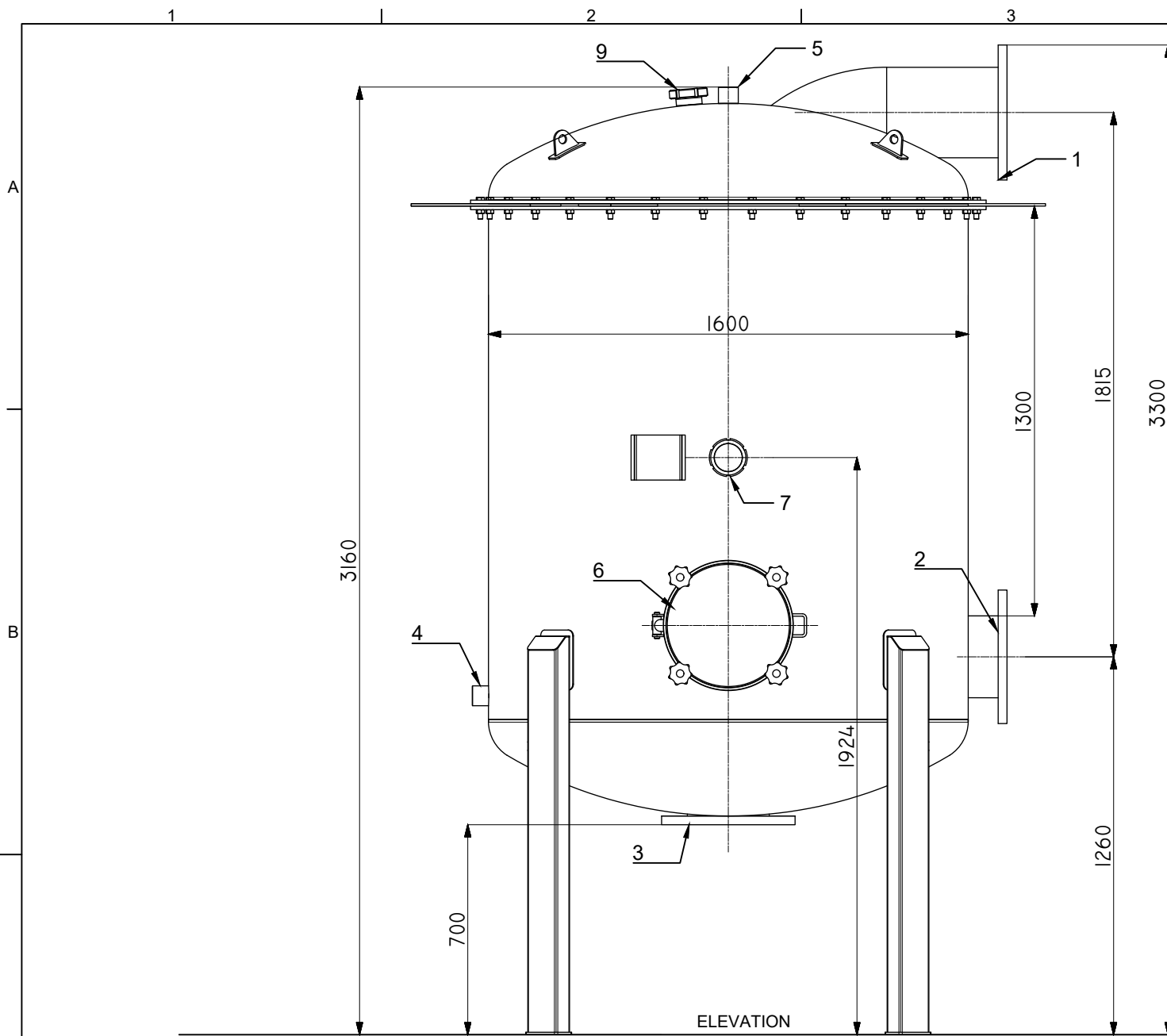


PLAN

Position	Element	Type
1	Output Connection Water:(flange)	DN300
2	Input connection Water:(flange)	DN300
3	Connection Drain: (flange)	DN250
4	Input connection Perlite: (H thread)	2" RH
5	Purge Connection: (female thread)	2" RH
6	Manhole: (access)	D.400
7	Candle peephole: (threaded)	DN80
8	Peephole access Rear: (threaded)	DN150
9	Peephole plate Manifolds: (threaded)	DN80
10	Vortex flange	DN50

Model	Total width	Diameter inner cylinder	Ground height to flange	Total height In service and with cargo	Weight empty /weight load
HI-1600	2200 mm	1600 mm	3000 mm	3100 mm	1990/4790 kg

	Revised: M. Amella February 2024	Revision nº: 03	Date: February 2024	Din-A4: 1/20
	Drawn: J.Rodríguez November 2022	Efficpool HI-1600 filter		
<small>HÍDRICA PRODUCTS Av de Falset, 136, 43206 REUS (SPAIN) +34 931 700 052, + 34 977 333 982 info@efficpool.com</small>				



Position	Element	Type
1	Output Connection Water:(flange)	DN300
2	Input connection Water:(flange)	DN300
3	Connection Drain: (flange)	DN250
4	Input connection Perlite: (H thread)	2" RH
5	Purge Connection: (female thread)	2" RH
6	Manhole: (access)	D.400
7	Candle peephole: (threaded)	DN80
8	Peephole access Rear: (threaded)	DN150
9	Peephole plate Manifolds: (threaded)	DN80
10	Vortex flange	DN50

Model	Total width	Diameter inner cylinder	Ground height to flange	Total height In service and with cargo	Weight empty /weight load
HI-1600	2200 mm	1600 mm	3300 mm	3400 mm	1990/4790 kg

	Revised: M. Amella February 2024	Revision nº: 02	Date: February 2024	Din-A4: 1/20
	Drawn: J.Rodríguez November 2022	Efficpool HI-1600L filter		
HÍDRICA PRODUCTS Av de Falset, 136, 43206 REUS (SPAIN) +34 931 700 052, + 34 977 333 982 info@efficpool.com				